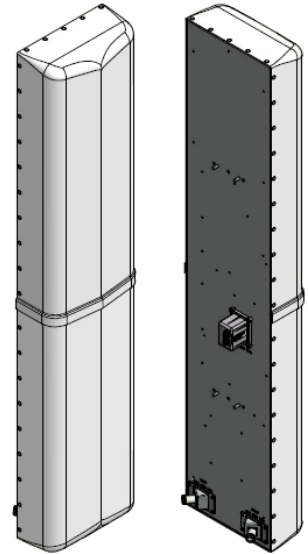


## C7C-FRO-656-V

Circular Polarization, 698-896MHz antenna, 72" Length, Fast Roll Off 56° Horizontal Pattern, Variable E-Tilt

- Circular Polarization reduces fading and improves RSSI
- Fast Roll Off (FRO) improves Intra and Inter-cell SINR
- Separate housing and reflector construction optimizes RF performance while maximizing mechanical strength
- Good Passive Intermodulation (PIM) performance reduces harmful interference
- Suitable for LTE/CDMA/UMTS/GSM
- AISG 2.0 RET Tilt Control



### ELECTRICAL SPECIFICATIONS

Frequency Band, MHz	698-824	824-896
Horizontal Beam Width, 3dB points (average)	58°	53°
Gain, dBiC (average)	15.9	16.1
Vertical Beam Width, 3dB points (average)	11.9°	10.3°
Front-to-Back at 180°, dB	>25	
Upper Side Lobe Suppression, dB (typical)	<-18	
Polarization	Circular	
Electrical Downtilt, adjustable (See Order Information)	0-10° or 4-14°	
VSWR/Return Loss, dB (maximum)	1.45:1/-14.7	
Axial Ratio	<2	
Isolation Between Ports, dB, 746-757 MHz, Minimum	<- 24	
Intermodulation (2x20w), IM3, dBc, Maximum	<-153	
Impedance, ohms	50	
Maximum Power Per Connector, CW	500 @ 800 MHz	

## MECHANICAL SPECIFICATIONS

Dimensions, Length/Width/Depth	72.0/14.6/7.3 in. (1829/372/181mm)
Connector (Quantity)	(2) 7-16 DIN Female
Connector Torque	220-265 lbf-in (23-30 N-m)
Connector Location	Back
Antenna Weight	31.8 lbs (14.4 kg) (Antenna only)
Bracket Weight (not included in antenna weight)	13.2 lb. (6.0 kg)
Standard Bracket Kit	919011 (Included)
Mechanical Down Tilt Range	0-12°
Radome Material	High Strength Luran, UV Stabilized, ASTM D1925
Wind Survival	150 mph (241 km/h)
Front Wind Load	211.6 lbf (941.4 N) @100mph
Equivalent Flat Plate	4.22 sq-ft (c=2) @ 100mph

## RET INFORMATION (RET motors included in -VR0 & -VR4 Models)

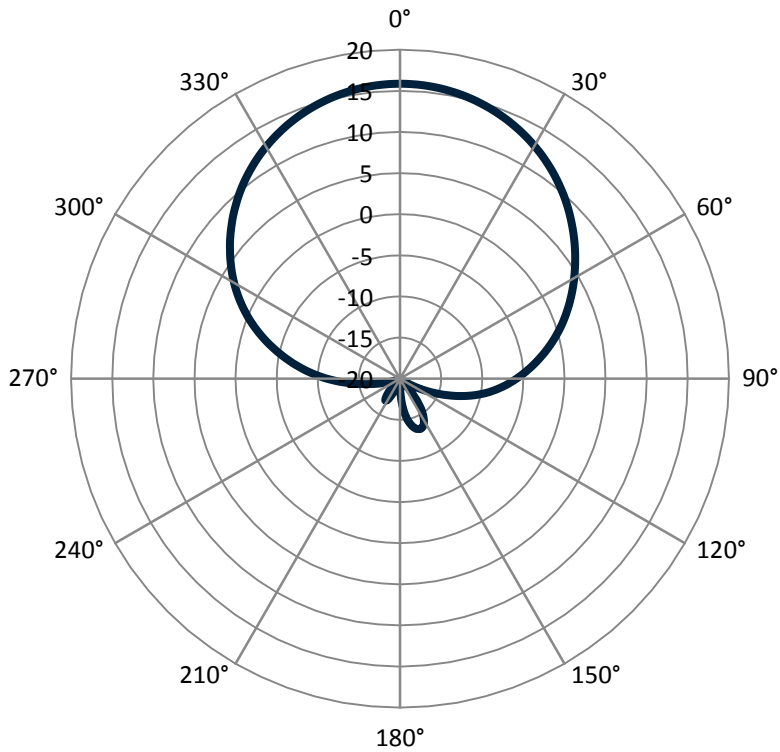
Model	RET-200
Mounting Location	Back
Communication Standard	AISG 2.0
Control System	PCU-1000



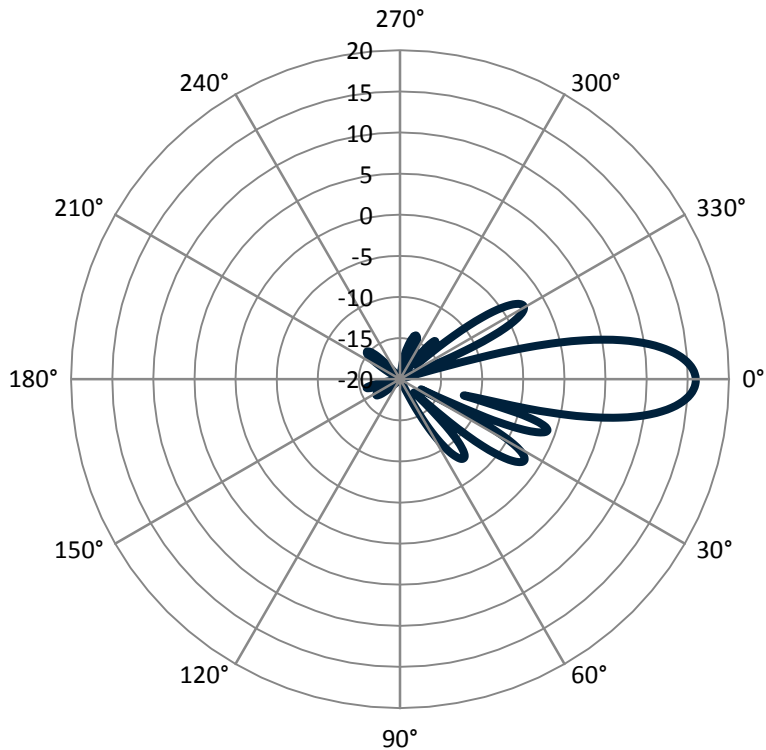
## ORDER INFORMATION

MODEL	DESCRIPTION
C7C-FRO-656-VR0	C-Pol antenna with two back DIN connectors with 0-10° remote tilt (RET)
C7C-FRO-656-VR4	C-Pol antenna with two back DIN connectors with 4-14° remote tilt (RET)
919036	Optional Bracket Kit, 2-Point, 12deg D-tilt, For 4.5" OD Pole

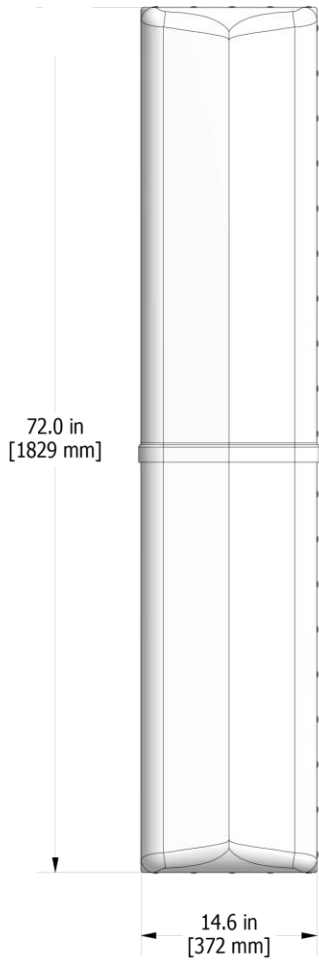
### Pattern Plot:750MHz, H-plane



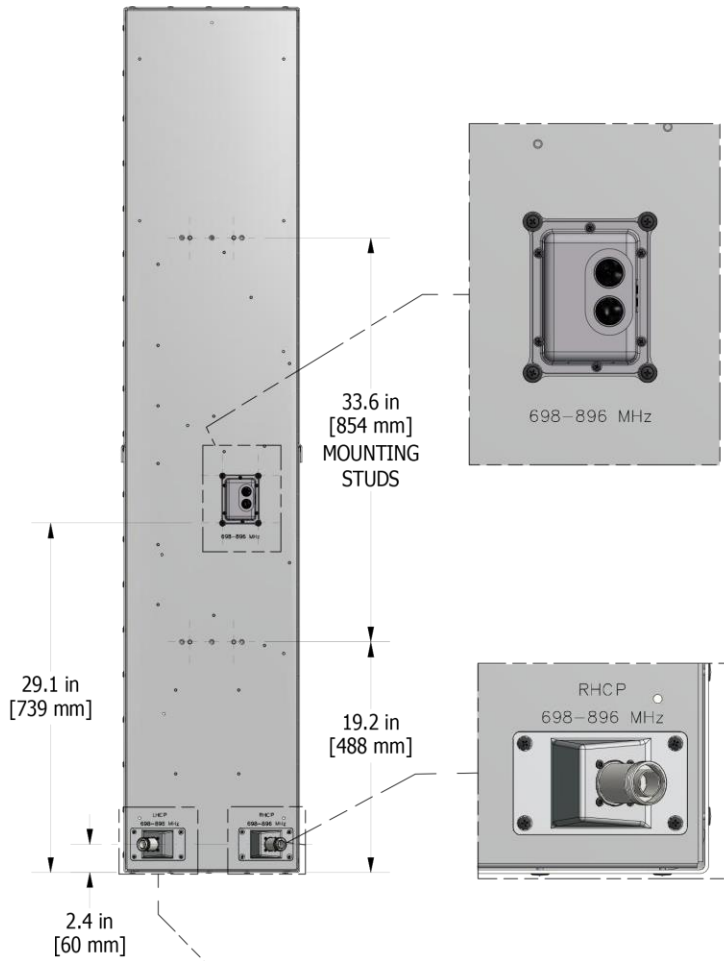
### Pattern Plot: 750MHz, E-plane



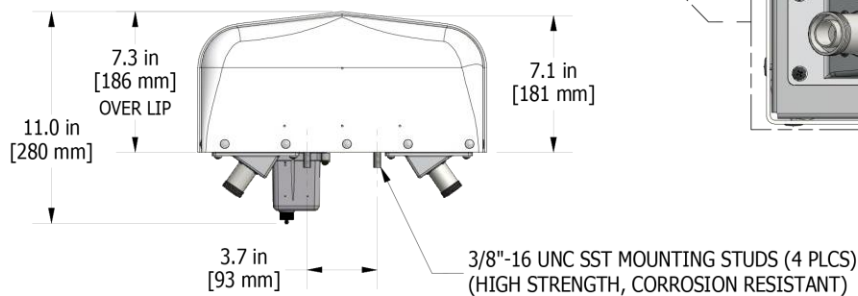
FRONT VIEW



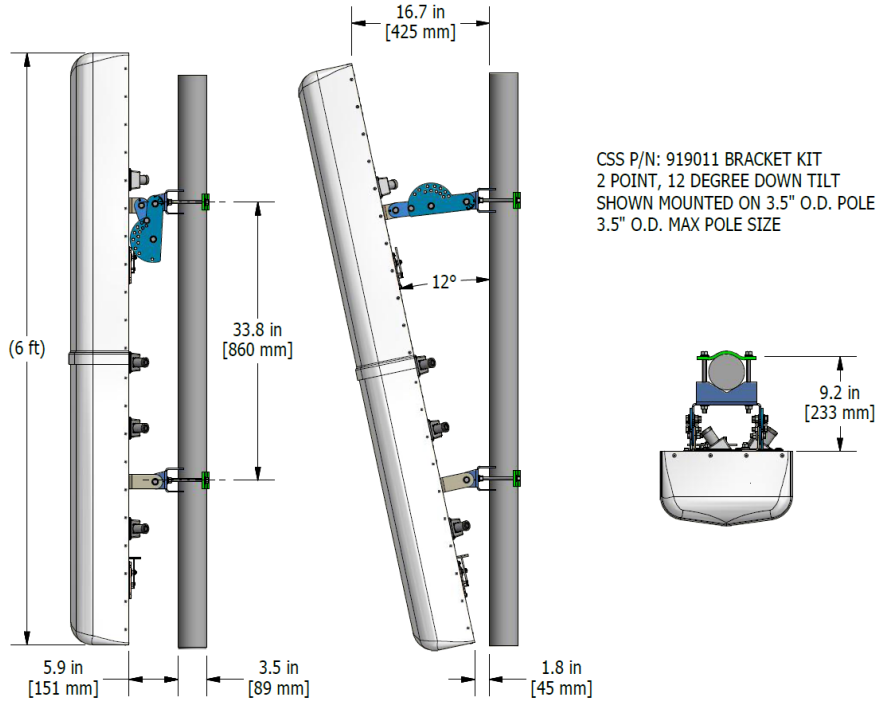
BACK VIEW



BOTTOM VIEW



### Standard Bracket Kit



### Optional Bracket Kit

