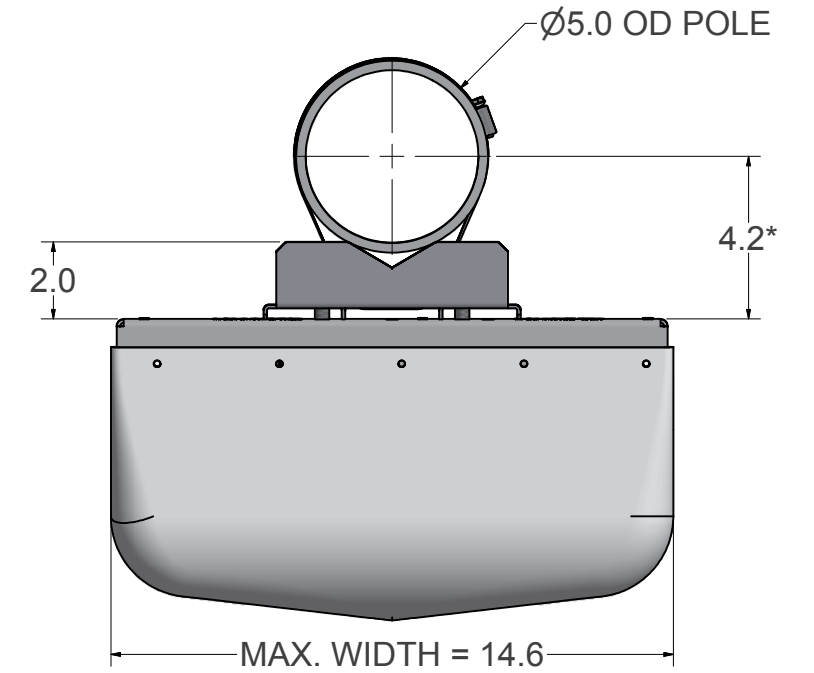


NOTES:

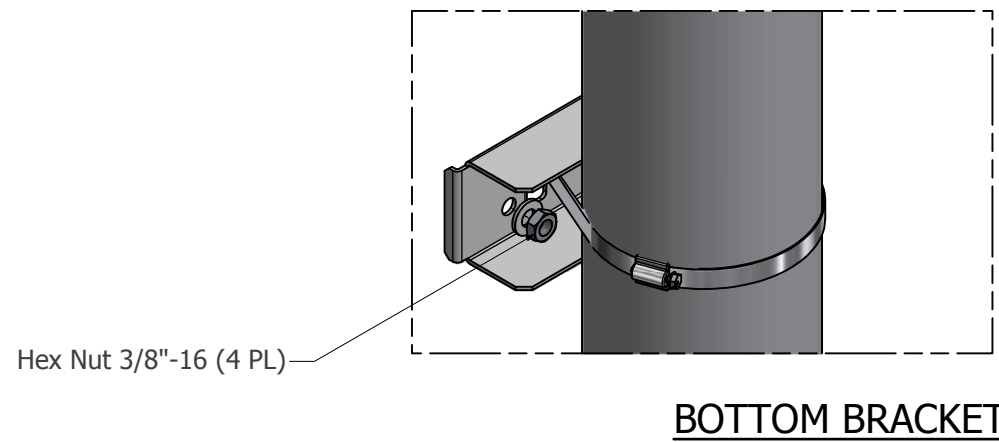
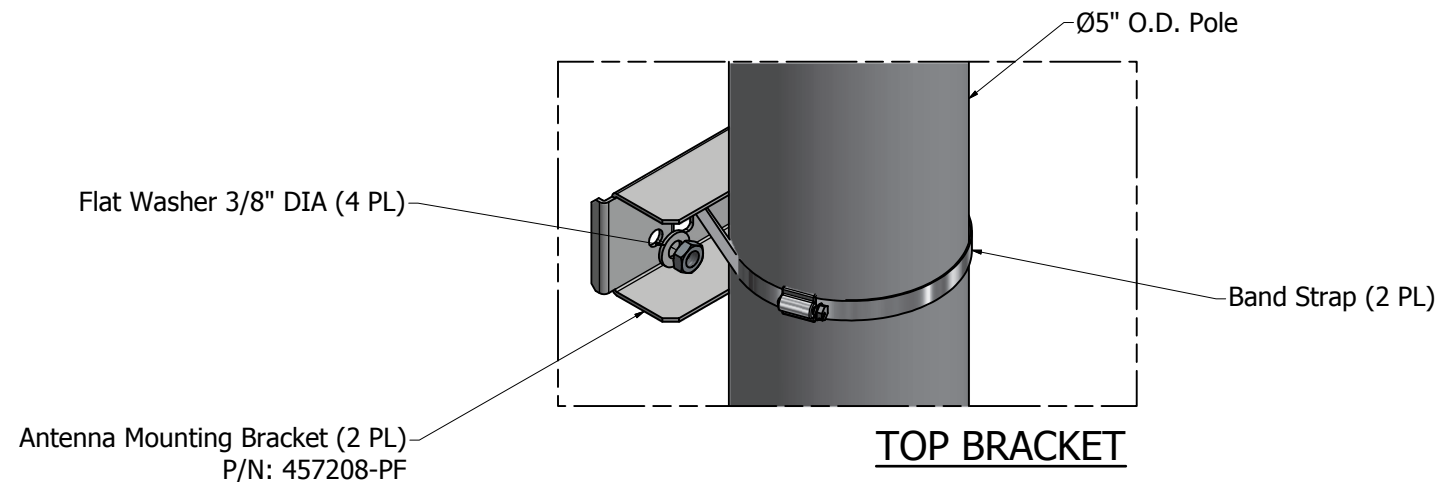
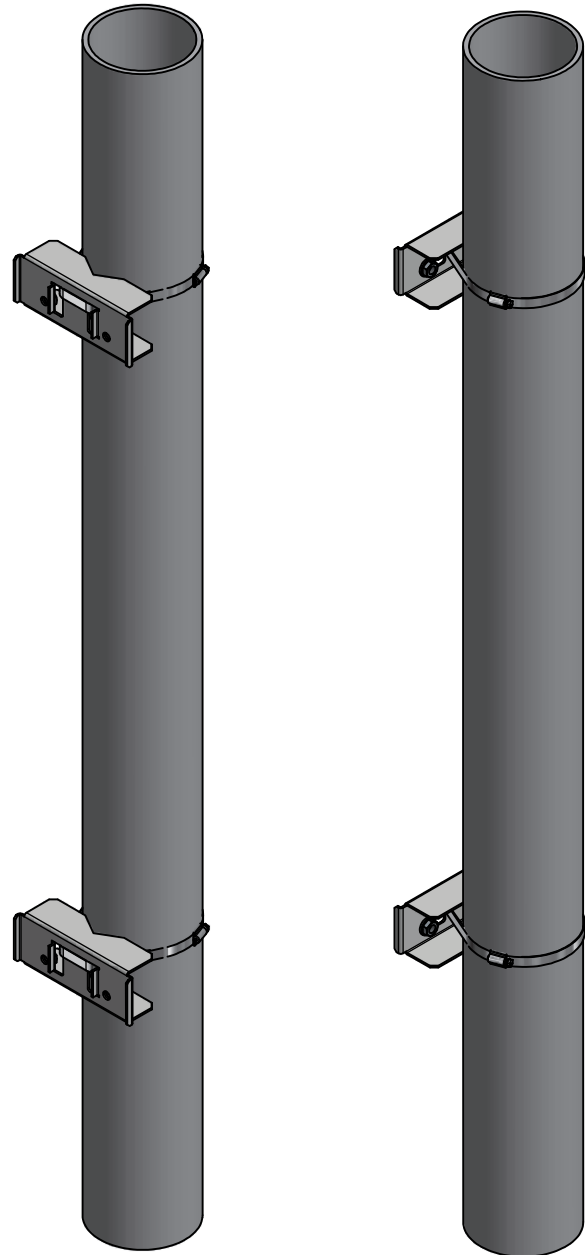
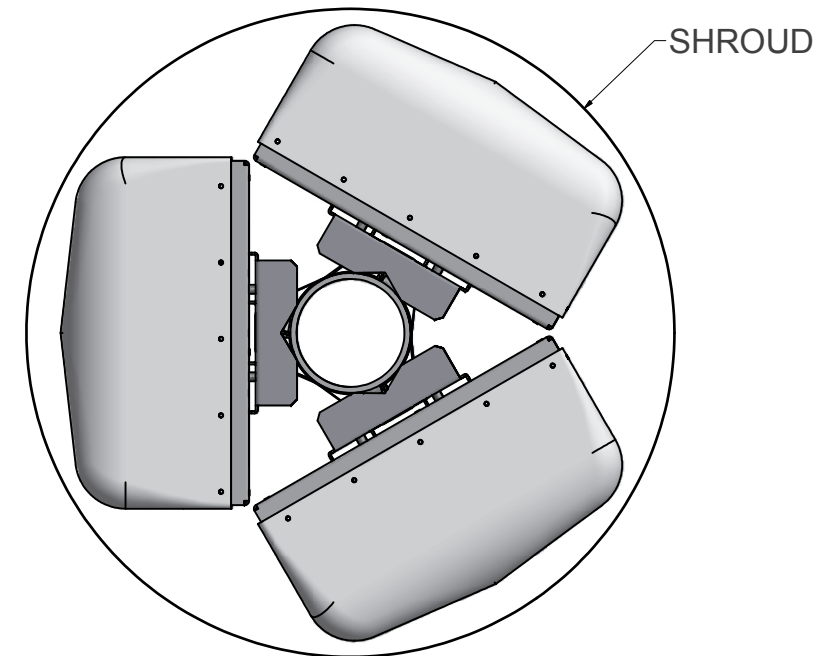
1. THE BRACKET KIT INCLUDES TWO BRACKETS & TWO BAND STRAPS THAT FITS 5" OD POLE ALONG WITH REQUIRED 3/8" SST MOUNTING HARDWARE.
2. ALL 3/8" HARDWARE TO BE TORQUED TO 20FT-LBS.
3. FOR DIFFERENT SIZE POLE MOUNTING APPLICAITONS CONTACT CSS ANTENNA @ 410-612-0080.

BRACKET KIT, BAND STRAP MOUNT, 4 & 6FT ANTENNAS CSS KIT # 919108

(REQUIRED MINIMUM 5.0" OD POLE)
(RECOMMENDED FOR BOTTOM DIN ANTENNAS)
(USE ONLY UNDER SHROUD)



* DIMENSION TO VARY FOR DIFFERENT OD POLE



UNLESS OTHERWISE SPECIFIED DIMENSIONS ARE IN INCHES TOLERANCES ON .XXXX ±.005 .XX ±.02 .XXX ±.010 .X ±.1 ANGLES ±5°	NAME	DATE	<p>CSS ANTENNA, INC. 2206-D LAKESIDE BLVD EDGEWOOD, MARYLAND 21040 410-612-0080 FAX: 410-612-0336</p>
	DRAWN K.MILLER	8/20/2012	
	CHECKED		
	APPROVED		<p>TITLE BAND STRAP MOUNT, 14 1/2 ANTENNA, MIN 5" POLE</p> <p>SIZE DWG NO. D 919108-ID</p> <p>SCALE 1 FILE Pole Mounting Configuration lam SH OF 1</p>
<p>THIRD ANGLE PROJECTION</p>	<p>THIS DRAWING AND THE INFORMATION CONTAINED HEREIN ARE THE PROPERTY OF CSS ANTENNA, INC. AND SHALL NOT BE REPRODUCED OR USED IN ANY WAY WITHOUT WRITTEN PERMISSION</p>		<p>REV -</p>