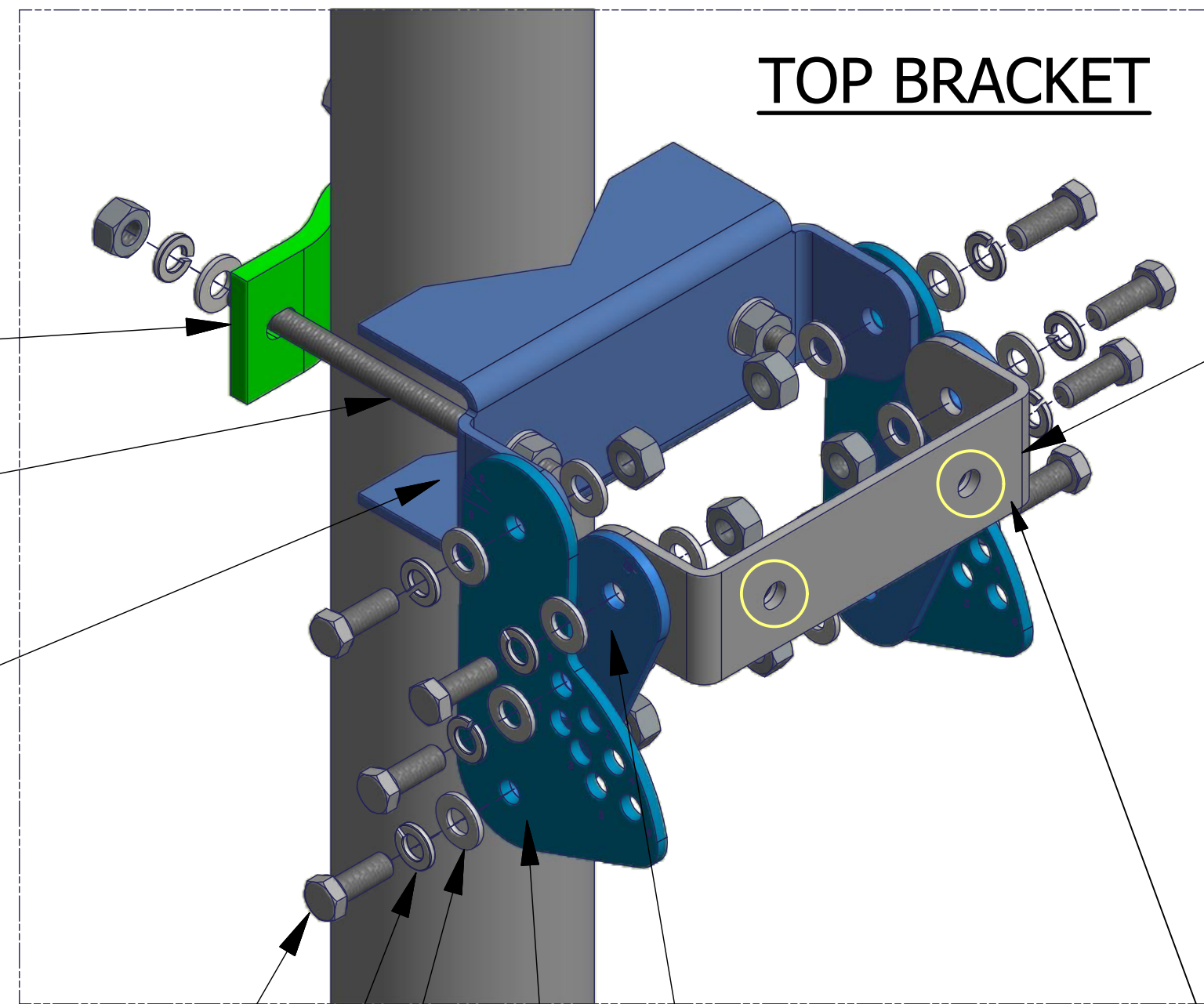
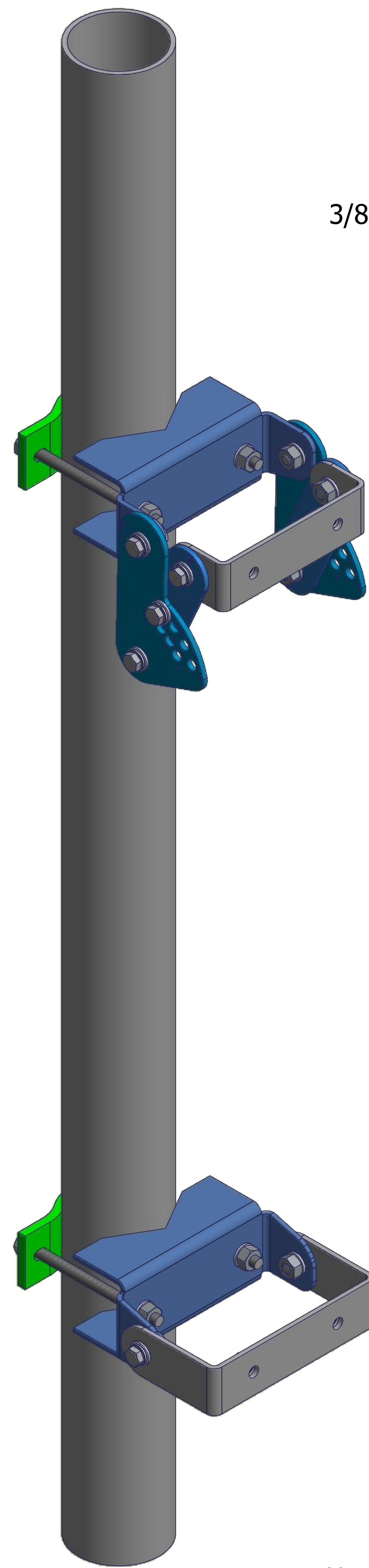


# 919058 BRACKET KIT, INSTALLATION, 2-POINT, 6DEG D-TILT

- NOTES:
1. All hardware to be torqued to 15 ft-lbs after mechanical downtilt is set.
  2. See Detail "C" for pole alignment instruction.
  3. The bracket kit includes galvanized hardware and a set of SST nuts. SST nuts must be used on antenna-side brackets that attaches to the antenna as shown.



Pole Mount Strap (2 PL)  
P/N 457063

3/8"-16 x 6"Lg Stud, SST (4 PL)

Anti-Rotation Bracket (2 PL)  
P/N 457227

Hex Cap Bolt 3/8"-16 x 1" (10 PL)

Lockwasher 0.375" (22 PL)

Washer 0.375" (36 PL)

## TOP BRACKET

Top Bracket Mount  
P/N 457229

Inner Linkage Arm (2 PL)  
P/N 457228

Outer Linkage Arm (2 PL)  
P/N 457244

Pole Mount Strap (2 PL)  
P/N 457063

3/8"-16 x 6"Lg Stud (4 PL)

Anti-Rotation Bracket (2 PL)  
P/N 457227

Hex Cap Bolt 3/8"-16 x 1", (10 PL)

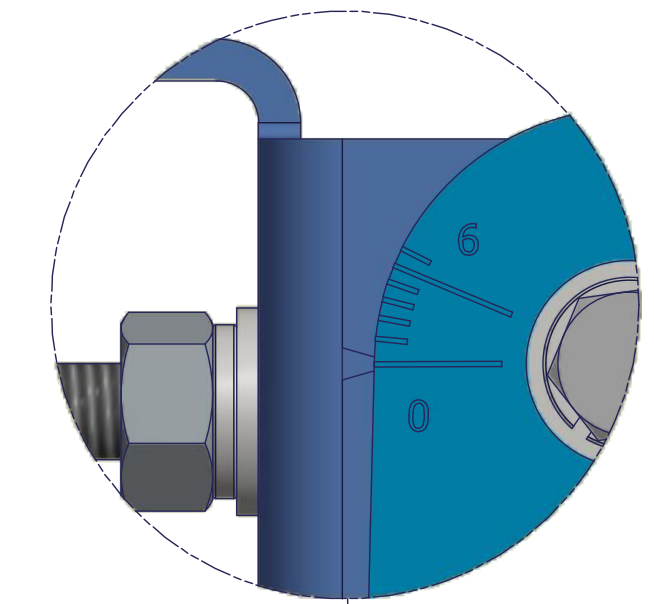
Lockwasher 0.375" (22 PL)

Washer 0.375" (36 PL)

## BOTTOM BRACKET

Bottom Bracket Mount  
P/N 457231

**Must USE SST Nuts to attach Antenna-side brackets to the Housing. (4 PL)**




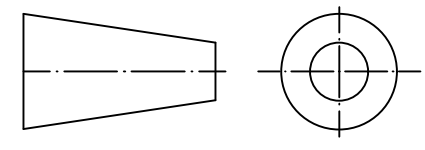
Anti-Rotation Bracket

Inner Linkage Arm

Outer Linkage Arm

Detail C

**PRIOR TO MOUNTING THE ANTENNA TO THE POLE:**  
 -ALIGN TICK MARK ON TOP ANTI-ROTATION BRACKET WITH THE DESIRED TILT ANGLE MARKING ON THE OUTER LINKAGE ARM  
 -ADJUST THE INNER LINKAGE ARM TO ALIGN WITH THE CORRESPONDING HOLE ANGLE ON THE OUTER LINKAGE ARM AND TIGHTEN HARDWARE

UNLESS OTHERWISE SPECIFIED DIMENSIONS ARE IN INCHES TOLERANCES ON .XXXX ±.005 .XX ±.02 .XXX ±.010 .X ±.1 ANGLES ±.5°	NAME	DATE	 CSS ANTENNA, INC. 2206-D LAKESIDE BLVD EDGEWOOD, MARYLAND 21040 410-612-0080 FAX: 410-612-0336
	DRAWN K.MILLER CHECKED	9/26/2012	
 THIRD ANGLE PROJECTION	APPROVED		TITLE <b>INSTALLATION INSTRUCTIONS</b>
	THIS DRAWING AND THE INFORMATION CONTAINED HEREIN ARE THE PROPERTY OF CSS ANTENNA, INC. AND SHALL NOT BE REPRODUCED OR USED IN ANY WAY WITHOUT WRITTEN PERMISSION	SIZE D	DWG NO. 819058-ID
	SCALE	FILE	SH OF 1 1