

Notes:

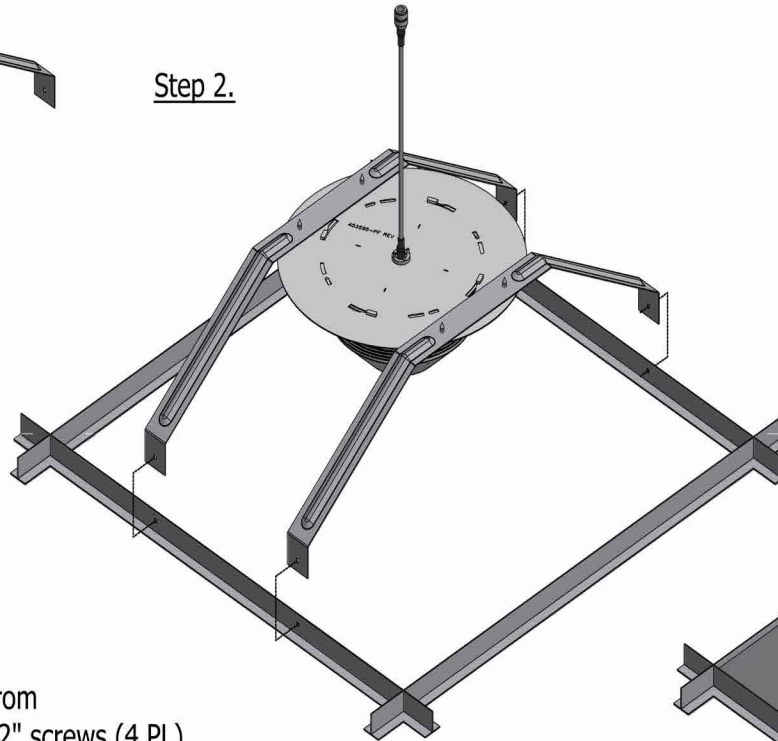
1. Verify plastic gasket is separating the bracket and the antenna.
2. Drill holes from the outside of the frame to ensure proper fitment.

TRU-Omni-R727 Bracket Installation

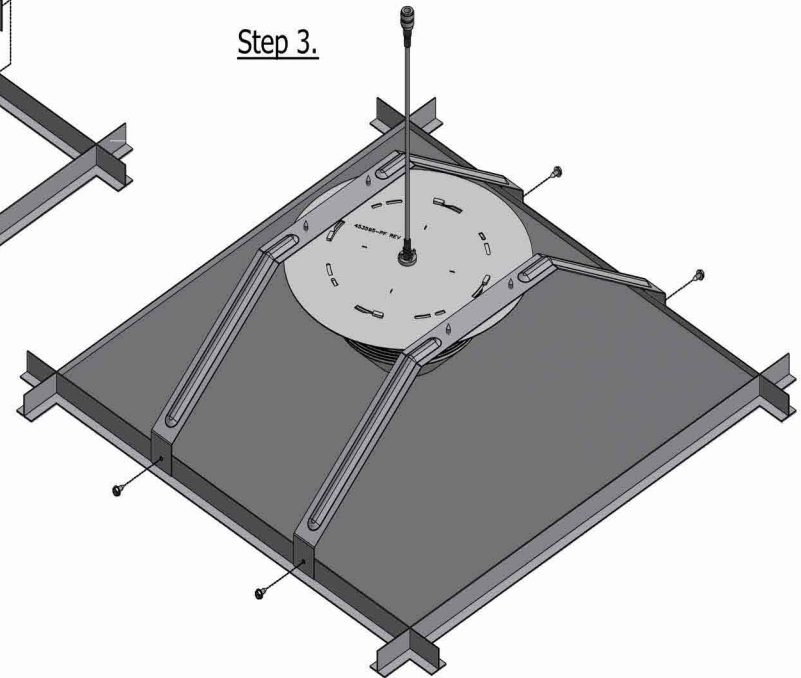
Step 1.



Step 2.




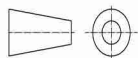
Step 3.



Step 1: Align brackets on antenna and secure from underneath as shown with the provided #10-1/2" screws (4 PL) (See Note 1)

Step 2: Lower assembly onto ceiling tile frame, align to center and drill through ceiling tile frame with 1/8" bit at each bracket hole location (4 PL). (See Note 2)

Step 3: Align brackets with the drilled holes on the outside of the frame and secure using provided #10-1/2" screws (4 PL) with 5/16" nut driver.

UNLESS OTHERWISE SPECIFIED DIMENSIONS ARE IN INCHES TOLERANCES ON .XXXX ± .005 .XX ± .02 .XXX ± .010 .X ± .1 ANGLES ± .5°	NAME	DATE	 CSS ANTENNA, INC. 2206-D LAKESIDE BLVD EDGEWOOD, MARYLAND 21040 410-812-0090 FAX: 410-812-0338
	DRAWN K. MILLER	8/23/2012	
	CHECKED		
	APPROVED		TITLE BRACKET INSTALLATION
 THIRD ANGLE PROJECTION	THIS DRAWING AND THE INFORMATION CONTAINED HEREIN ARE THE PROPERTY OF CSS ANTENNA, INC. AND SHALL NOT BE REPRODUCED OR USED IN ANY MANNER WITHOUT WRITTEN PERMISSION		SIZE DWG NO. REV D TRU-OMNI-R727 1 1
	SCALE	FILE TRU-OMNI-R727_OMNI ANTENNA_REV C.dwg	SH OF 1 1