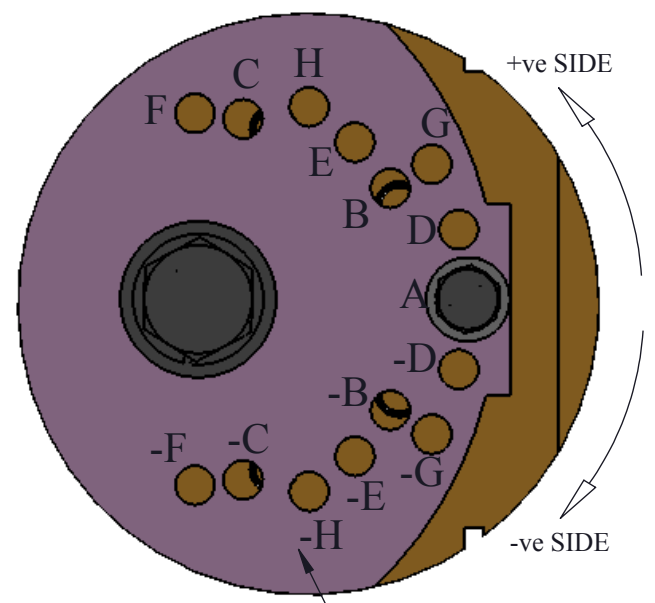


SCALE .7

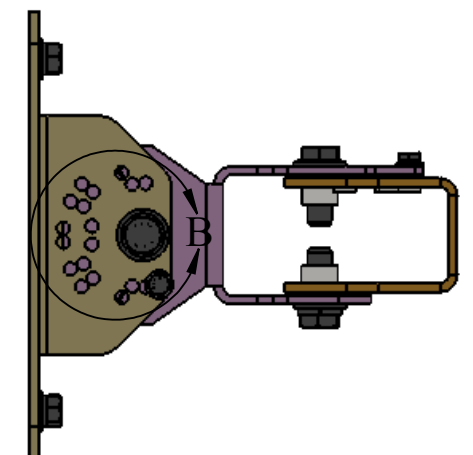
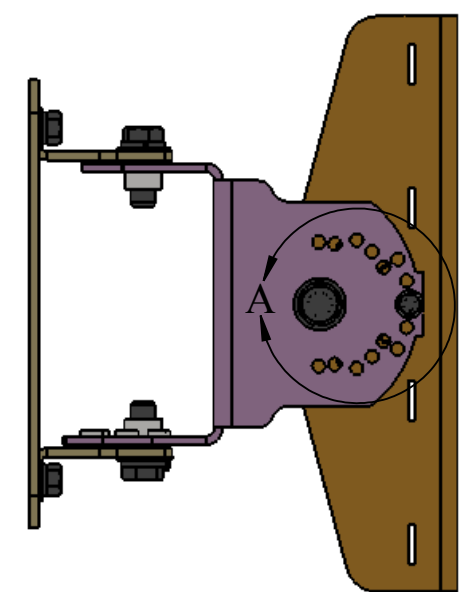
DETAIL A  
REFER AZIMUTH ROTATION TABLE 2



"-" INDICATES NEGATIVE ANGLE

TABLE 2  
AZIMUTH ROTATION TABLE

LEGEND	AZIMUTH ROTATION (DEG)
A	0
B	5
C	10
D	15
E	20
F	25
G	30
H	35

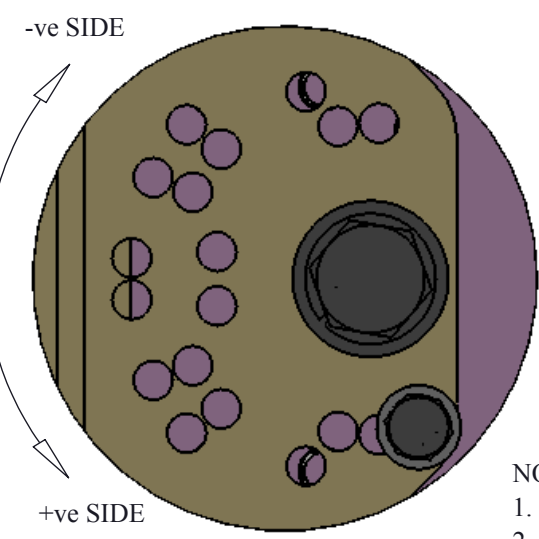


BRACKET CAN BE RE-ORIENTED TO MEET MOUNTING CONFIGURATIONS

#10-32 SCREW, 2PL (FOR LOCKING BRACKET INTO SPECIFIC ANGLE POSITION) TORQUE TO 30 IN-LBS

BRACKET, WALL/POLE MOUNT (CSS P/N 457216-PF)

WALL MOUNT HOLES, 2PL (USING 3/8" HARDWARE) 4.50" APART @ CL



DETAIL B  
REFER MECH. DOWNTILT TABLE 3

NOTES:

- ALL 3/8" HARDWARE TO BE TORQUED TO 20 FT-LBS.
- BRACKET ALLOWS TO SET ANGLES IN 5° INCREMENTS, +VE & -VE SIDES.
- REFER "MAXIMUM ANGLE TABLE" (TABLE -1) TO LEARN MAXIMUM ANGLE ON SPECIFIC ANTENNAS.
- DETAIL VIEWS "A" AND "B" SHOW ANGLE ROTATION LEGENDS. REFER "AZIMUTH ROTATION TABLE" (TABLE -2) AND "MECHANICAL DOWNTILT TABLE" (TABLE -3) FOR SPECIFIC ANGLE LOCKING POSITION.
- USE SUPPLIED #10-32 FASTENERS TO LOCK BRACKET AT SPECIFIC ANGLE.
- ALL 1/4" HARDWARE TO BE TORQUED TO 75 IN-LBS
- FASTENERS FOR WALL MOUNT AND POLE MOUNT NOT INCLUDED IN 919050 BRACKET KIT

TABLE 3  
MECH. DOWNTILT TABLE

LEGEND	AZIMUTH ROTATION (DEG)
A	0
B	5
C	10
D	15
E	20
F	25
G	30
H	35
I	40
J	45
K	50
L	55

UNLESS OTHERWISE SPECIFIED	APPROVED BY	INIT	DATE
ALL DIMENSIONS ARE IN INCHES	APPROVED BY	AL	6/13/2018
TOLERANCES -- .XX ±.01 .XXX ±.005 < ±1°	APPROVED BY	GJ	6/15/2018
INTERPRET DIMENSIONS PER ASME Y14.5M-1994	APPROVED BY	MR	6/18/2018

**JMA** JOHN MEZZALINGUA ASSOCIATES  
7645 HENRY CLAY BOULEVARD  
LIVERPOOL, NEW YORK 13088  
TEL. 315-431-7100

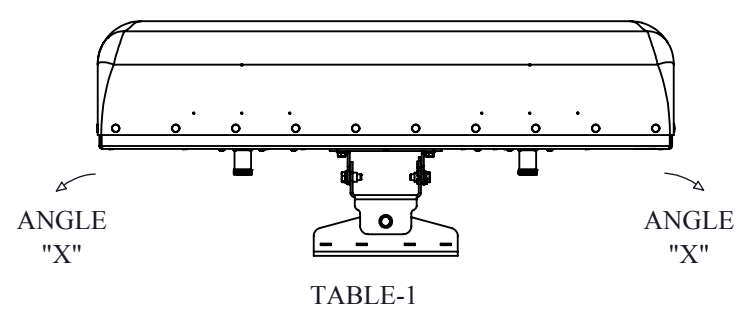
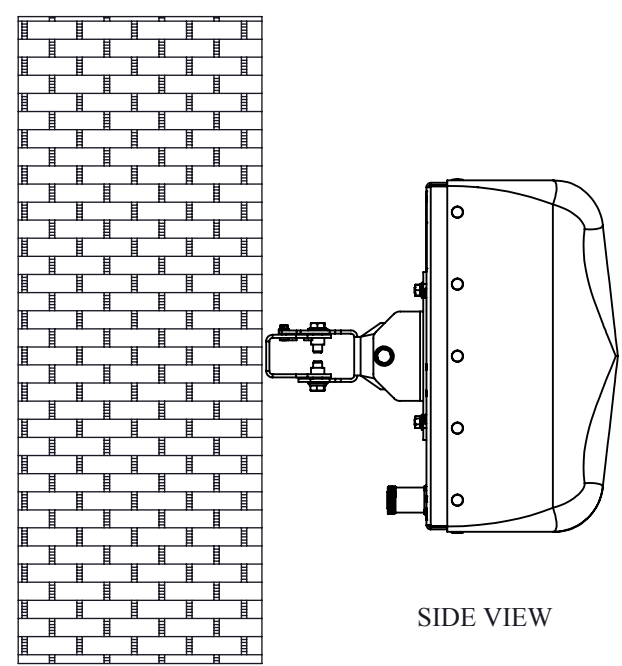
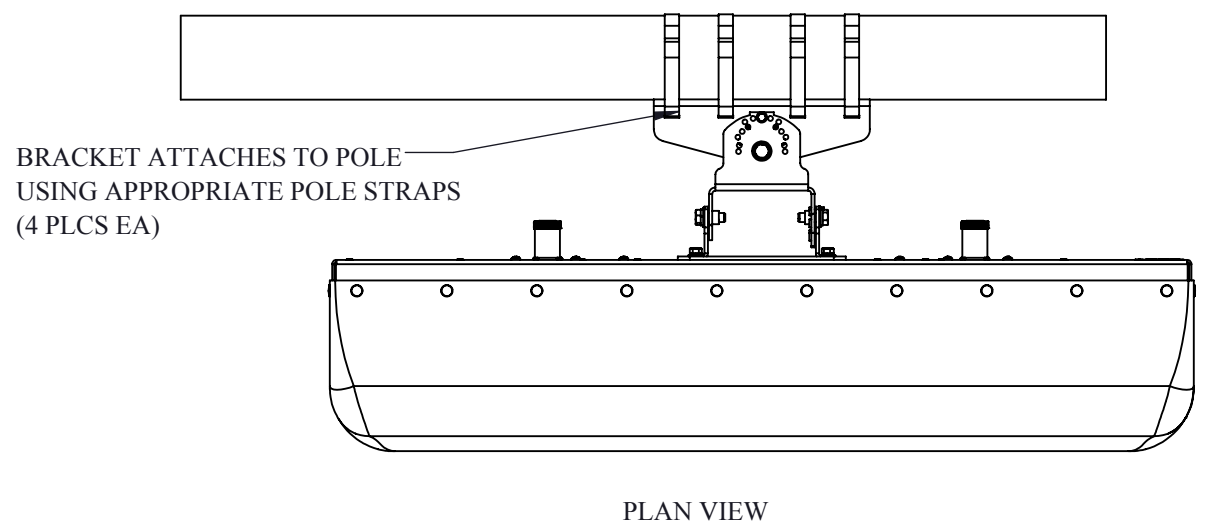
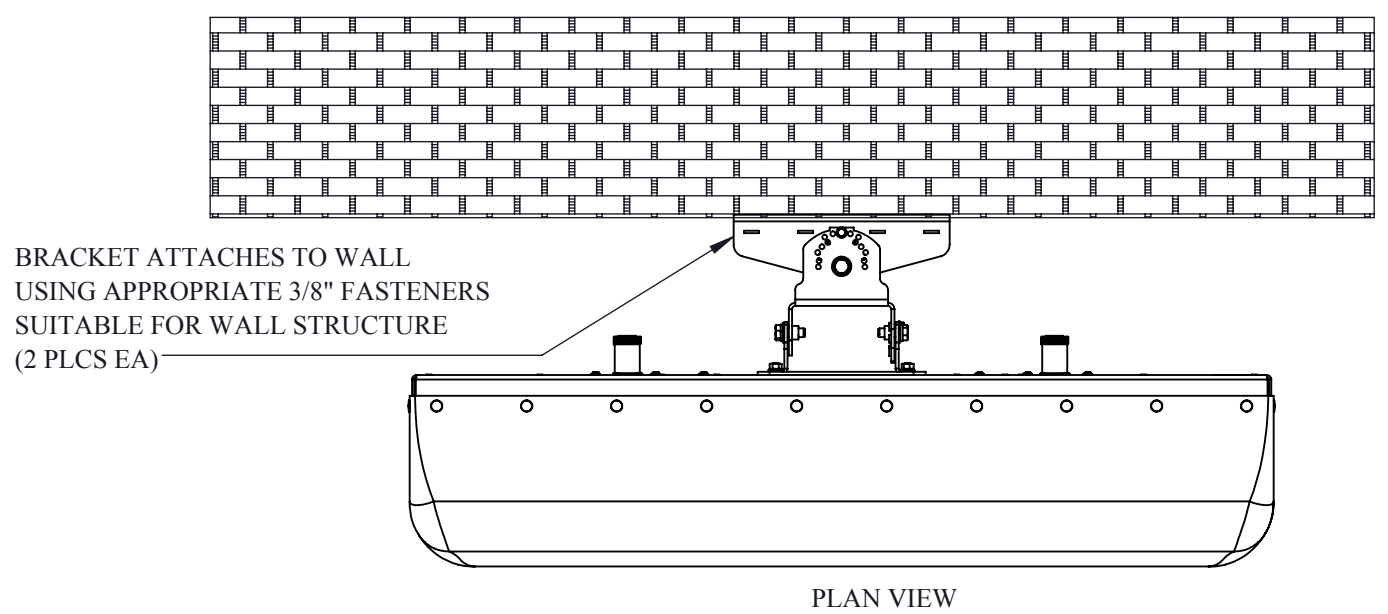
THESE DRAWINGS AND SPECIFICATIONS ARE THE PROPERTY OF JOHN MEZZALINGUA ASSOCIATES AND SHALL NOT BE REPRODUCED, COPIED OR USED AS A BASIS FOR MANUFACTURE OR SALE OF EQUIPMENT OR DEVICES WITHOUT WRITTEN PERMISSION.

.005 MAX BREAK OR RADIUS ON ALL CORNERS PERMISSIBLE  
INNER AND OUTER DIAMETERS WITHIN .003 (FIM)  
SURFACE FINISH 63

TITLE: INSTALLATION DRAWING, STADIUM BRACKET 919050			
DWG. NO.	819050-ID		REV. D
CLASS:	SCALE 1:1	SHEET 1 OF 2	SIZE: B

# WALL MOUNT

# POLE MOUNT



Maximum Angle (in degree)				
	Pole Mount		Wall Mount	
Antenna Size	X	Y	X	Y
1' L x 1' W	35	55	35	55
1' L x 2' W	25	55	25	55
1' L x 3' W	20	55	20	55
2' L x 2' W	25	25	25	25

