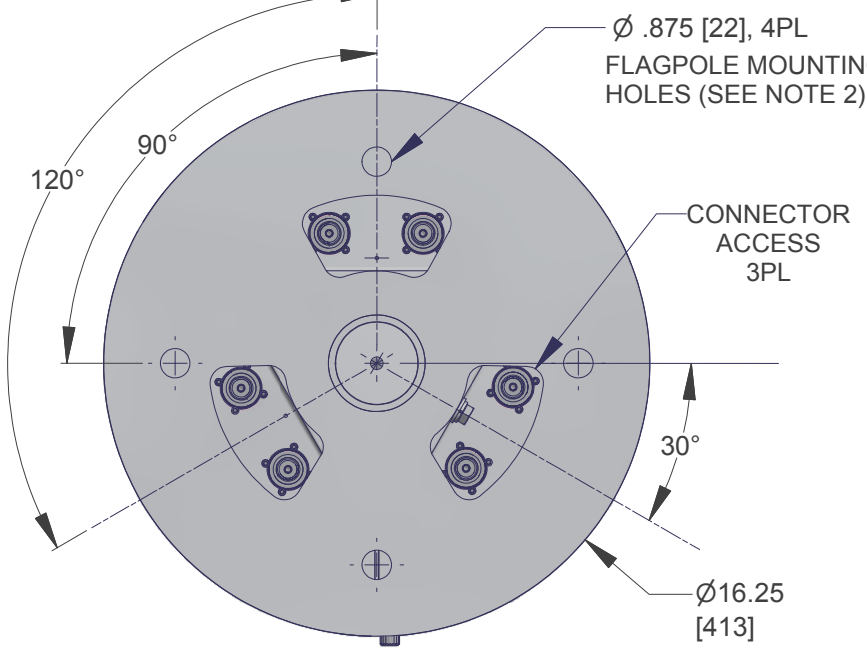


NOTES:

1. HOIST CAN BE REMOVED TO ACCOMMODATE LIGHTNING ROD (3/8-16 THREADED INTERFACE). OPERATOR MUST ASSURE PROPER GROUNDING.
2. FLAGPOLE MUST BE MOUNTED USING APPROPRIATE 7/8" HARDWARE, 4 PLACES.
3. ALL DIMENSIONS ARE IN INCHES [MILLIMETERS]. REFER ELECTRICAL & MECHANICAL SPEC SHEET FOR FURTHER DETAILS.

FLAGPOLE MOUNT PLATE



FLAGPOLE CAP
MOUNTING HDWR: 3/8-16 SST 3PL

AZIMUTH POSITION BRACKET (TOP)
MOUNTING HARDWARE: 1/4-20 SST 3PL

ANTENNA
MOUNTING HARDWARE:
3/8-16 SST
2PL (TOP & BOTTOM)

LIFTING EYE BOLT
1" EYE X 3/8"-16 THRED
(SEE NOTE 1)

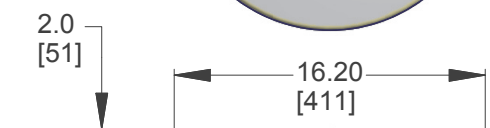
RADOME CAP
RADOME

ANTENNA

CONNECTOR ACCESS
PANEL

CAPTIVE FASTENERS
2PL

AZIMUTH POSITION BRACKET
(BOTTOM)
MOUNTING HDWR: 1/4-20 SST 3PL



OVERALL HEIGHT (H)
SEE TABLE-1



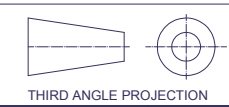
CSS Flag Pole Mount Kit	Table-1: Overall Height (H)	
	Antenna Height	H Inches (mm)
919037	4FT ANTENNA	60 (1524)
919043	6FT ANTENNA	84 (2134)

UNLESS OTHERWISE SPECIFIED
DIMENSIONS ARE IN INCHES
TOLERANCES ON
.XXXX ±.005 .XX ±.02
.XXX ±.010 .X ±.1
ANGLES ±5°

NAME	DATE
DRAWN S. SHAH	2/19/2010
CHECKED	
APPROVED S. Shah	10/19/2010

CSS Antenna
CSS ANTENNA, INC.
2206-D LAKESIDE BLVD
EDGEWOOD, MARYLAND 21040
410-612-0080 FAX: 410-612-0336

TITLE
**INSTALLATION SHEET,
CYLINDER ANTENNA**



THIS DRAWING AND THE INFORMATION
CONTAINED HEREIN ARE THE PROPERTY
OF CSS ANTENNA, INC. AND SHALL NOT BE
REPRODUCED OR USED IN ANY WAY
WITHOUT WRITTEN PERMISSION

SIZE	DWG NO.	REV
D	919043-ID	-
SCALE	FILE ANTENNA_FLAGPOLE_4FT_16in Dia. W.I.C. XDU0-965001.rvt	SH OF 1