

| Rev. | Description | EC number |
|------|-------------|-----------|
| A | Release | |

Stadium Mounting Bracket Kit - Rotational

Instructions for Mounting Kits
91900324 & 91900325

P/N 81900511



JMA Wireless World
Headquarters

7645 Henry Clay Boulevard
Liverpool, NY 13088
USA

www.jmawireless.com
+1 888-201-6073

91900324: DX Antenna
Mounting Bracket Kit
(included in antenna)

91900325: Replacement
bracket kit (sold separately)

919055: Optional bracket kit
(sold separately) Refer to P/N
81900510 for instructions

Stadium Mounting Bracket - Rotational

Instructions for Mounting Kit 91900324

This is the installation guide for the Stadium Mounting Bracket - Rotational. Note that bracket 45700440-01 comes pre-installed on the antenna.

Antenna DX10FRO260-00/06 pictured for reference.

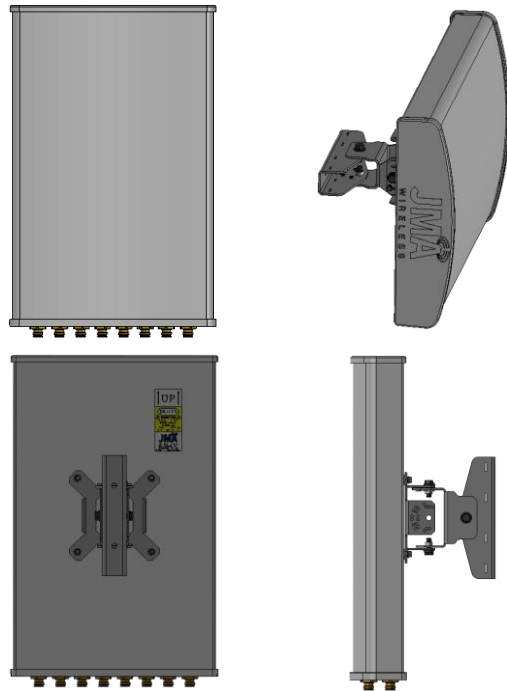


Figure 1: Bracket installed on antenna

The bracket can be repositioned depending upon use in the field.

When mounting the antenna, always follow the arrows and the word "top" for correct placement. When the bracket is in horizontal mount, the word "top" marked on the bracket will match the top of the antenna. But in vertical mount, the bracket can be turned either way. Torque 1/4" SS hardware to 75 lbf·in (8.47 N·m).

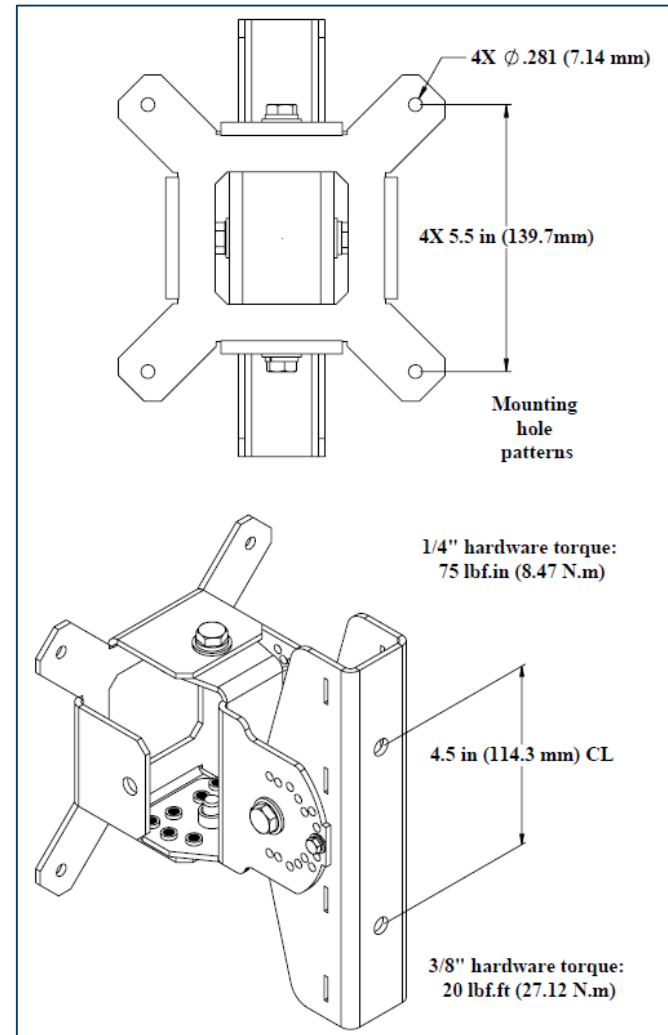


Figure 2: 91900324 kit

Stadium Mounting Bracket - Rotational

Instructions for Mounting Kit 91900324

Below is the bracket kit included with the antenna.

| Kit #91900324 | | | |
|---------------|-----------------|--|-------------|
| Item # | JMA part # | Description | Qty. in kit |
| 1 | 457217-PF | Center Mount Stadium Bracket | 1 |
| 2 | 457216-PF | Wall / Pipe Mount Stadium Bracket | 1 |
| 3 | 413-011-2421-VS | 3/8" FLAT WASHER SS (OD 13/16) | 4 |
| 4 | 411-144-1348-VS | 3/8"-16 x 1.000" HEX HEAD BOLT FULL THRE | 4 |
| 5 | 413-012-2489-VS | 3/8 SPLIT LOCK WASHER SS | 4 |
| 6 | 411-144-0732-VS | 10-32 x 1/2" HEX Head Bolt SS | 2 |
| 7 | 413-012-6789-VS | #10 SPLIT LOCK WASHER SS | 2 |
| 8 | 413-011-8518-VS | #10 FLAT WASHER SS | 2 |
| 9 | 81900511 | Assembly instructions | 1 |

Note:

- Parts 2-10 can be rotated 90° if needed, to rotate the antenna. For example, Bracket ① has two mounting positions on pre-stalled Bracket 45700440-01.
- When rotating the antenna, additional weep holes must be drilled to properly drain antenna. Refer to JMA weep hole modification guide at jmawireless.com

Other key details:

- The brackets were designed to handle pole diameters ranging from 2.5 to 4.5 inches.
- All 10-32 hardware to be torqued to 30 lbf-in (3.39 N-m).
- All 3/8" hardware to be torqued to 20 lbf-ft (27.12 N-m).
- All 1/4" hardware to be torqued to 75 lbf-in (8.47 N-m).
- Fasteners / hose clamps for wall mount and pole mount not included in 91900324 bracket kit. (Sold separately)

Venue bracket details.

Bracket ① can be re-oriented 90° to support vertical mounting configurations. Keep the word "top" on the antenna facing top, and the weep hole facing down. Use Screw ⑥ for locking bracket into specific angle positions. Torque to 30 lbf-in (3.39 N-m). Use the holes in Bracket ② (4.50" [114.3 mm] apart @ CL) and 3/8" hardware for wall mounts.

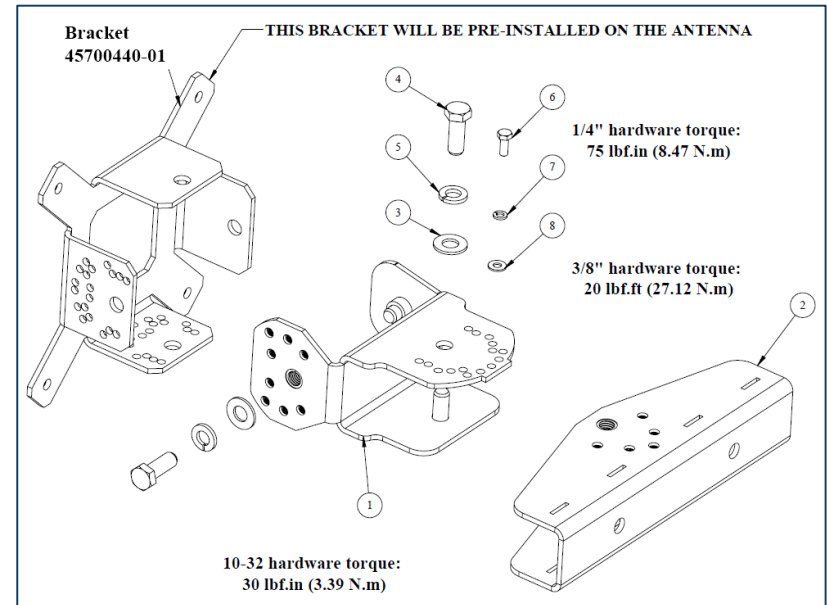


Figure 3: Bracket details

Stadium Mounting Bracket - Rotational

Instructions for Mounting Kit 91900324

Wall-mounted bracket

See Figure 2, the bracket drawing, for the hole layout dimensions. All 3/8" hardware to be torqued to 20 lbf·ft (27.12 N·m).

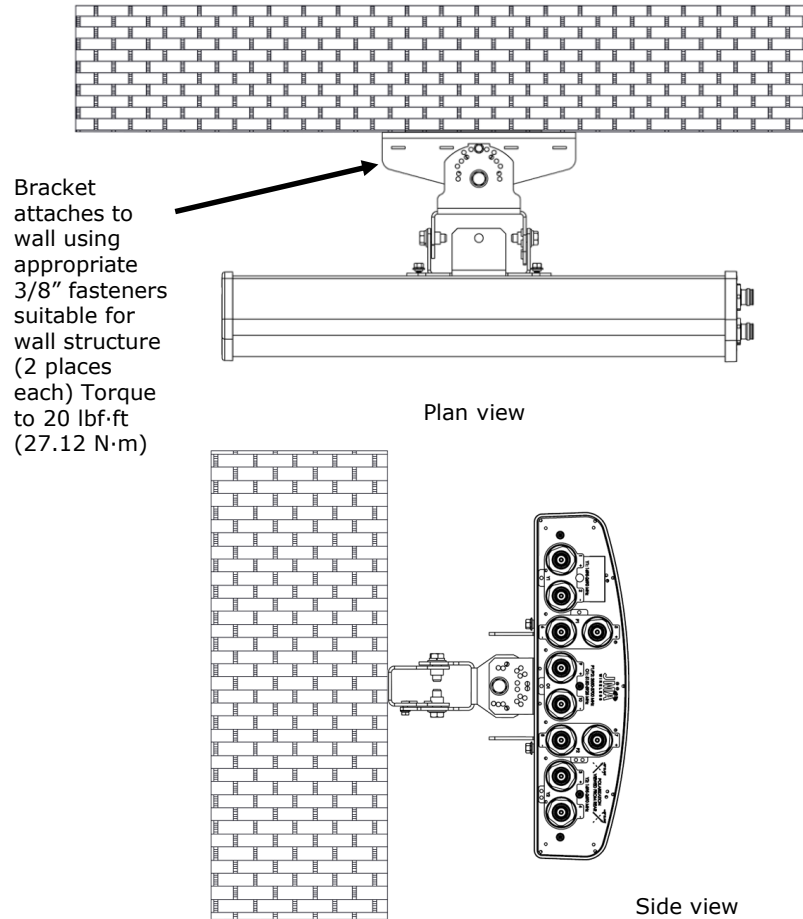


Figure 4: Wall mount

Pole-mounted bracket

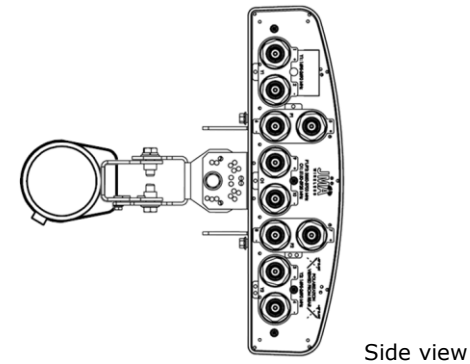
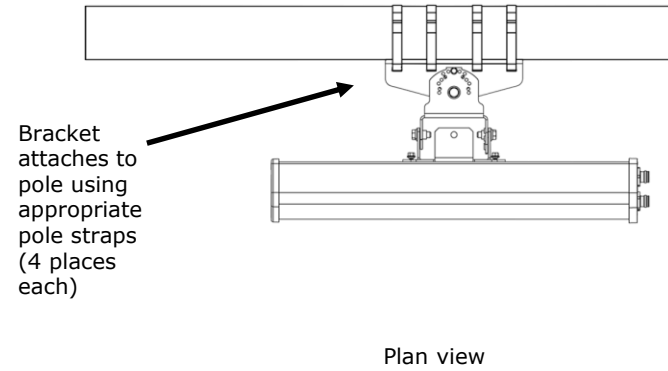


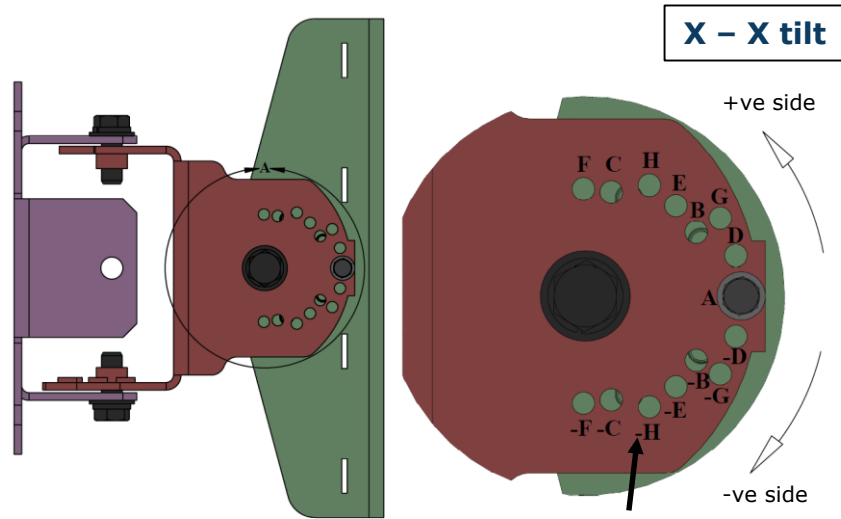
Figure 5: Pole mount

Stadium Mounting Bracket - Rotational

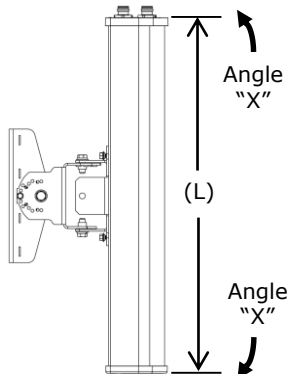
Instructions for Mounting Kit 91900324

Vertical and horizontal mounting positions tables

Azimuth rotation for specific locking position. Use supplied #10-32 fasteners to lock bracket at specific angle.



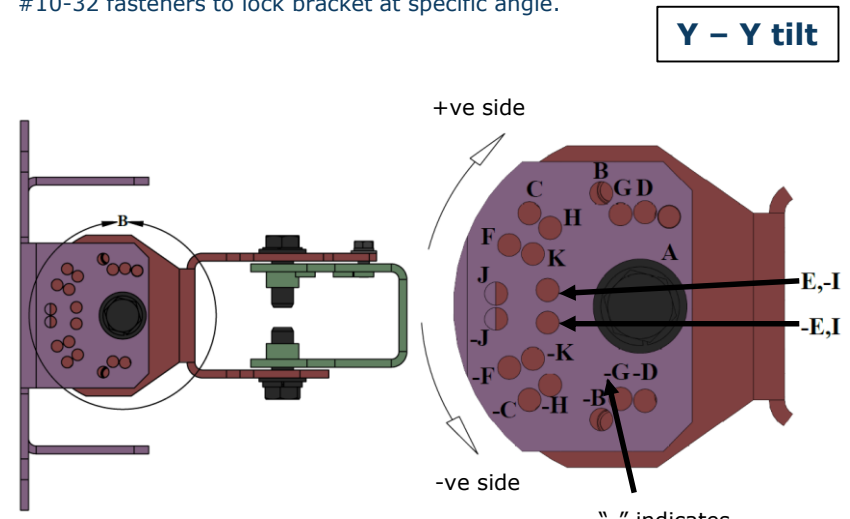
"-" indicates negative angle



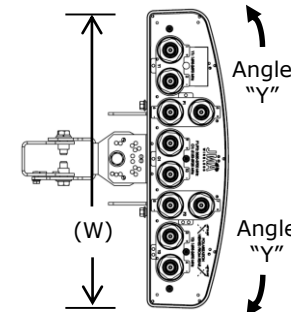
| Azimuth Rotation Table: Max angle (degrees) pole/wall mount | | | | | |
|---|------------------------|-------------------|-------|-------|-------|
| Legend | Azimuth Rotation (Deg) | Antenna (L) x (W) | | | |
| | | 1'x1' | 1'x2' | 1'x3' | 2'x2' |
| A | 0 | ✓ | ✓ | ✓ | ✓ |
| B | 5 | ✓ | ✓ | ✓ | ✓ |
| C | 10 | ✓ | ✓ | ✓ | ✓ |
| D | 15 | ✓ | ✓ | ✓ | ✓ |
| E | 20 | ✓ | ✓ | ✓ | ✓ |
| F | 25 | ✓ | ✓ | ✓ | ✓ |
| G | 30 | ✓ | ✓ | ✓ | ✓ |
| H | 35 | ✓ | ✓ | ✓ | ✓ |

Figure 6: Bracket azimuth rotation in vertical position

Mechanical downtilt rotation for specific locking position. Use supplied #10-32 fasteners to lock bracket at specific angle.



"-" indicates negative angle



| Mech. Downtilt Table: Max angle (degrees) pole/wall mount | | | | | |
|---|------------------------|-------------------|-------|-------|-------|
| Legend | Azimuth Rotation (Deg) | Antenna (L) x (W) | | | |
| | | 1'x1' | 1'x2' | 1'x3' | 2'x2' |
| A | 0 | ✓ | ✓ | ✓ | ✓ |
| B | 5 | ✓ | ✓ | ✓ | ✓ |
| C | 10 | ✓ | ✓ | ✓ | ✓ |
| D | 15 | ✓ | ✓ | ✓ | ✓ |
| E | 20 | ✓ | ✓ | ✓ | ✓ |
| F | 25 | ✓ | ✓ | ✓ | ✓ |
| G | 30 | ✓ | ✓ | ✓ | ✓ |
| H | 35 | ✓ | ✓ | ✓ | ✓ |
| I | 40 | ✓ | ✓ | ✓ | ✓ |
| J | 45 | ✓ | ✓ | ✓ | ✓ |
| K | 50 | ✓ | ✓ | ✓ | ✓ |

Figure 7: Bracket mechanical downtilt rotation in horizontal position

Stadium Mounting Bracket - Rotational

Instructions for Mounting Kit 91900324

Replacement bracket kit (91900325).

Kit 91900325 (Figure 8) is sold separately and can be used instead of 919050. Kit 91900325 is identical to 91900324-01, except 45700440-01 is included in this kit; consequently, some extra hardware is provided, i.e., (10), (11), and (12).

| Kit #91900325 | | | |
|---------------|-----------------|--|-------------|
| Item # | JMA part # | Description | Qty. in kit |
| 1 | 45700440-01 | Antenna Mount Stadium Bracket | 1 |
| 2 | 457217-PF | Center Mount Stadium Bracket | 1 |
| 3 | 457216-PF | Wall/Pipe Mount Stadium Bracket | 1 |
| 4 | 413-011-2421-VS | 3/8" FLAT WASHER SS (OD 13/16) | 4 |
| 5 | 411-144-1348-VS | 3/8"-16 x 1.000" HEX HEAD BOLT FULL THRE | 4 |
| 6 | 413-012-2489-VS | 3/8 SPLIT LOCK WASHER SS | 4 |
| 7 | 411-144-0732-VS | 10-32 x 1/2" HEX Head Bolt SS | 2 |
| 8 | 413-012-6789-VS | #10 SPLIT LOCK WASHER SS | 2 |
| 9 | 413-011-8518-VS | #10 FLAT WASHER SS | 2 |
| 10 | 412-105-0907-VS | NUT, HEX, 1/4-20,UNC,SS | 4 |
| 11 | 413-011-1699-VS | FLAT WASHER, 1/4 STAINLESS STEEL | 4 |
| 12 | 413-012-1659-VS | WASHER, LOCK, 1/4,SS | 4 |
| 13 | 81900511 | Assembly instructions | 1 |

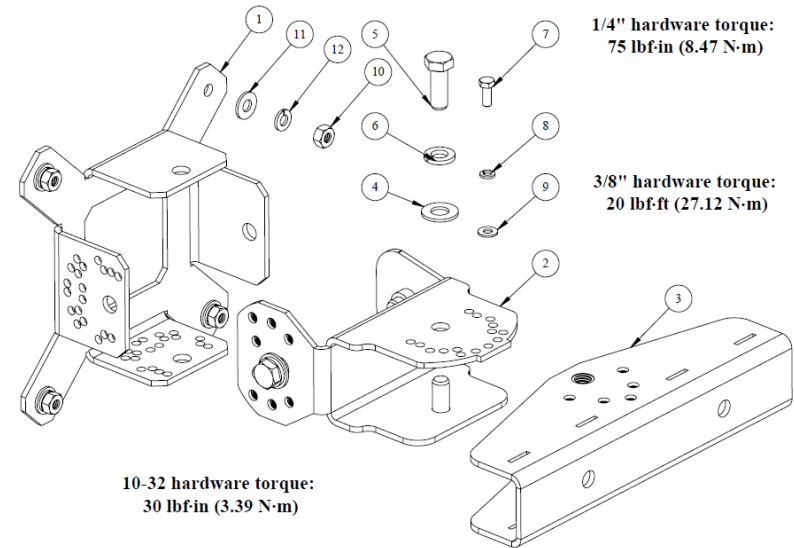


Figure 8: 91900325 bracket details