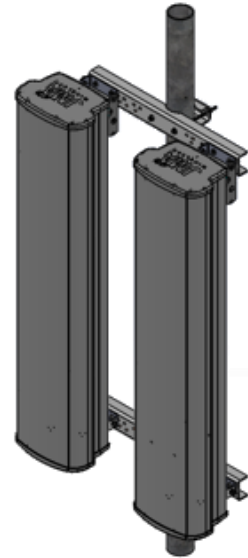


### Dual-mount antenna bracket

- Enables optimal spacing for low-band 4T4R beamforming by allowing for two of the same antenna on one bracket
- Mechanical tilt in line with specified antenna
- Spacing either 2" or 12" (edge-to-edge) dependent on antenna model
- Compatible with MX, X7C\*, C7C\* antenna ranges
- Ease of field installation—able to use existing antenna mount brackets

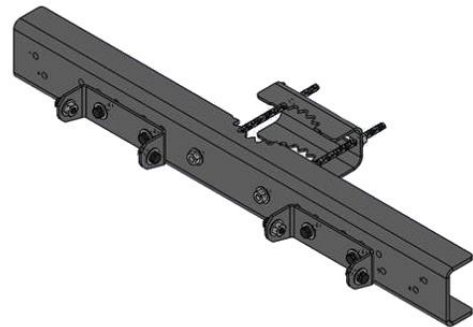


#### Brackets needed per antenna type

<b>X7C* and C7C* models</b>	<b>4'–6' antennas</b>	2 brackets needed
	<b>7'–8' antennas</b>	3 brackets needed
<b>MX models</b>	<b>4' antennas</b>	2 brackets needed
	<b>6'–8' antennas</b>	3 brackets needed

#### Spacing options between dual antennas

<b>X7C* and C7C* models</b>	2 of same antennas locked at 2" spacing
	Example: (2) X7CQAP-FRO-645-V can be locked at 2" of spacing
<b>MX models</b>	2 of same antennas locked at either 2" or 12" spacing
	Example: (2) MX08FRO660-02 can be locked at 2" or 12" spacing (see above image)



**Dual-mount bracket assembled**

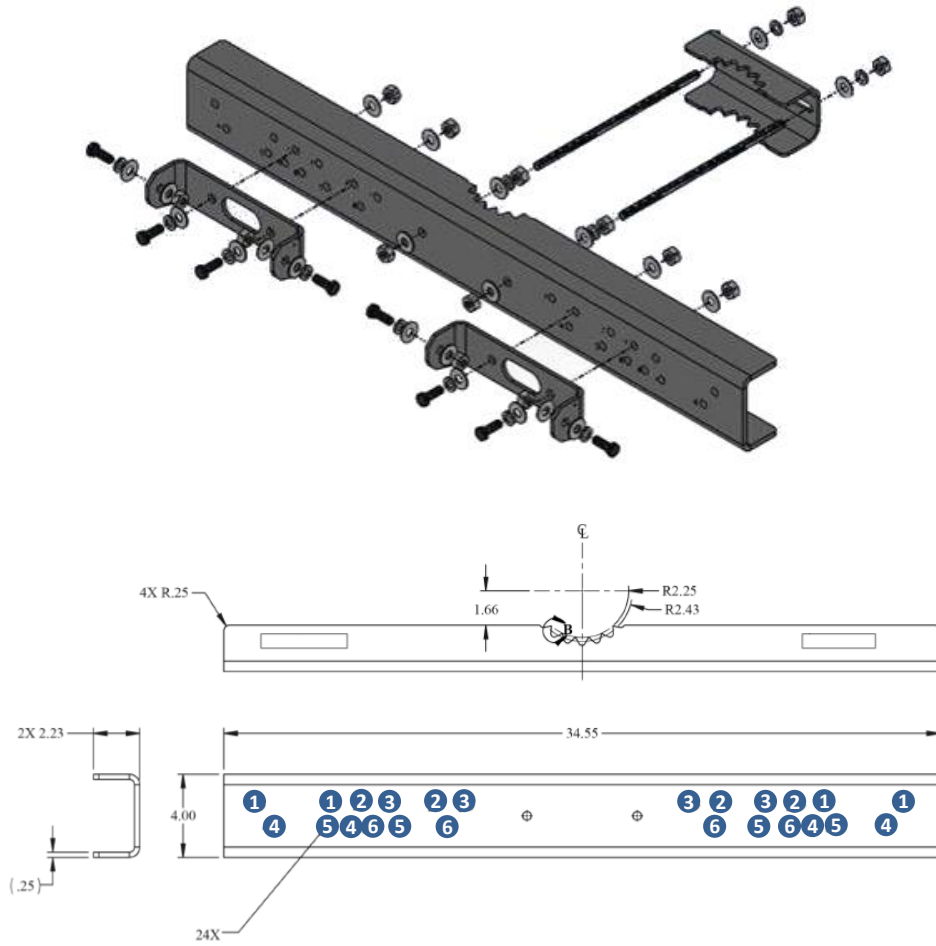
#### Mechanical specifications

Net weight per bracket, lb (kg)	22.3 lb (10 kg) – does not include brackets included with antenna
Range of allowable mechanical up/down tilt	-2° to 14°
Rated wind survival speed, mph (km/h)	150 mph (241 km/h)
Material specification	.16" to .25" thick hot-dipped, galvanized steel

#### Ordering information

Mounting bracket model	Description
91900314	Dual-mount antenna bracket assembly (single)
<b>*Compatible antennas</b>	
4'–8' Quad-, Hex-, and Octo-Port macro antennas in the X7C; C7C; X7CAP; C7CAP; X7CQAP; MX ranges (check with customer service for exact fit)	
<b>Installation instructions</b>	
81900506	Installation instructions for dual-mount bracket assembly (single)

### Dual-mount bracket assembly guide overview



Model types beginning with:	Antenna width	Corresponding hole position	Resulting spacing between antennas
MX	15.4" (wide spacing)	1	12"
	15.4" (narrow spacing)	2	2"
	12"	3	2"
	20"	5	3/4"
X7C*, C7C*	12.5"	3	2"
	24.0"	4	2"
	18.8"	5	2"
	14.6"	6	2"