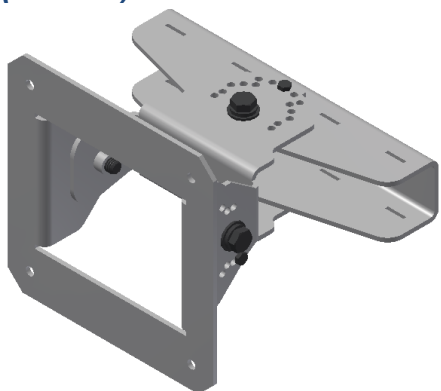


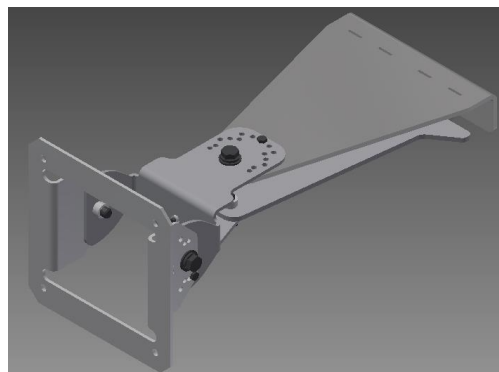
### Stadium antenna extension bracket

- Extension to existing stadium antenna bracket (919050)
- Enables simultaneous full horizontal and full vertical tilt
- Extension has wind-load capability up to 150 mph with minimal additional weight
- Compatible with MB and XGU DAS/stadium range\*

#### Current stadium antenna bracket (919050)



#### Extension to stadium bracket (919050 + 91900313)



#### Mechanical specifications

Net weight of extension, lb (kg)	3.8 lb (4 kg) – weight includes extension and current DAS bracket
Range of mechanical up/down tilt	± 55°
Range of azimuth adjustment	± 30°
Rated wind survival speed, mph (km/h)	150 mph (241 km/h)
Material specification	Stainless steel

#### Ordering information

Mounting bracket model	Description
91900313	Stadium antenna extension bracket
<b>*Compatible antennas</b>	
XGU series of 124, 128, 130, and 165, MB 134 and 230 O-DAS antennas	
<b>Installation instructions</b>	
81900504	For stadium bracket kit (919050) with extension kit (91900313)