

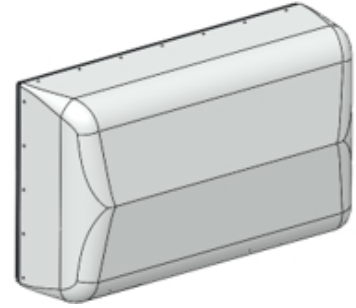
SX08FRO128-01

NWAV™ X-Pol Antenna

8-port 1 ft 28° panel antenna 617-960, 1695-2700, 3400-4200, 5150-5925 MHz:

2 ports 617-2700 MHz, 4 ports 3400-4200 MHz, and 2 ports 5150-5925 MHz

- X-Pol, DAS, and Small Cell multi-port antenna
- Suitable for pole or building mount
- 4x4 MIMO for 3400-4200 MHz
- 2x2 MIMO for 617-2700 and 5150-5925 MHz
- Fast Roll Off pattern performance
- Cost-effective solution for neutral host locations



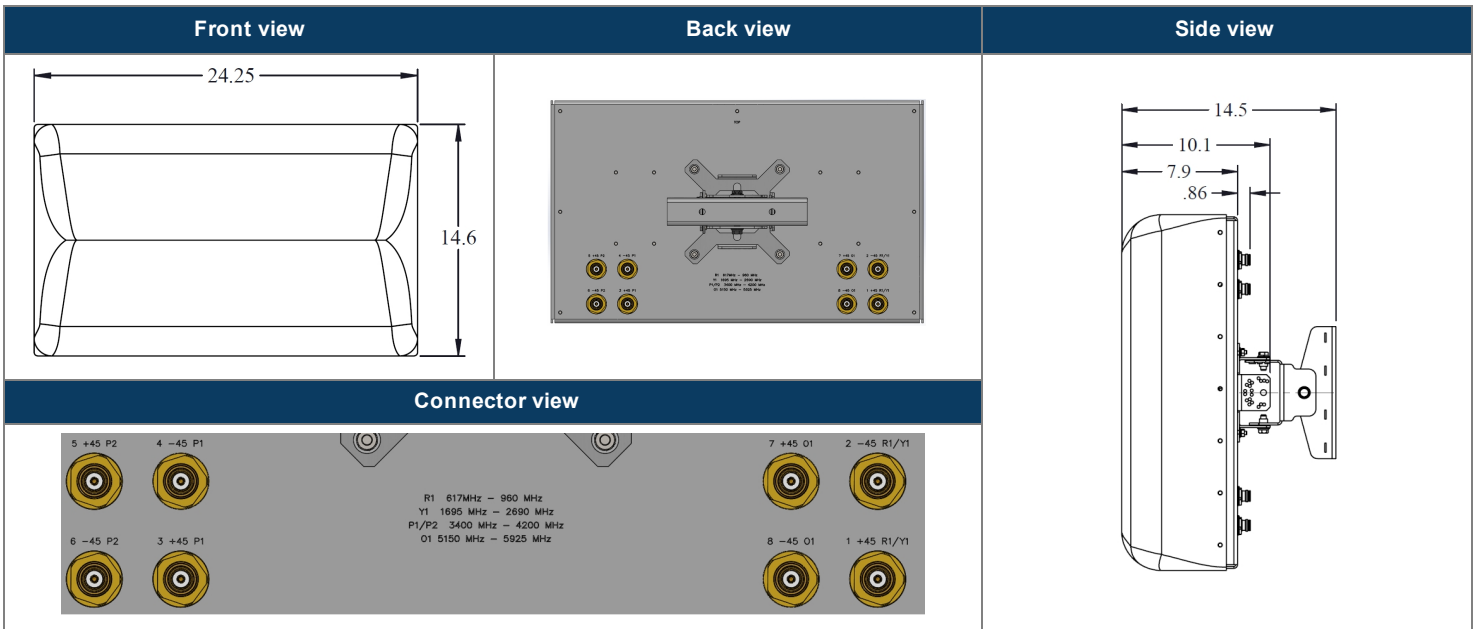
| Electrical specification (min/max) | Ports 1, 2 | | | | | | | |
|--|---------------|---------|---------|---------------|-----------|-----------|-----------|-----------|
| Frequency bands, MHz | 617-798 | 824-894 | 897-960 | 1695-1880 | 1850-1990 | 1920-2180 | 2300-2400 | 2496-2690 |
| Polarization | ± 45° | | | ± 45° | | | | |
| Average gain, dBi | 11.1 | 10.7 | 10.3 | 10.7 | 11.0 | 12.0 | 12.1 | 12.2 |
| Horizontal beamwidth (HBW), degrees ¹ | 36.0° | 28.7° | 26.9° | 33.0° | 31.0° | 28.0° | 25.0° | 23.0° |
| Vertical beamwidth (VBW), degrees ¹ | 62.1° | 61.0° | 59.5° | 52.5° | 54.0° | 55.1° | 47.0° | 42.5° |
| Fixed electrical downtilt (EDT), degrees | 0° | | | | | | | |
| Cross-polar isolation, port-to-port, dB ¹ | 25 | | | 25 | | | | |
| Max VSWR / return loss, dB | 1.5:1 / -14.0 | | | 1.5:1 / -14.0 | | | | |
| Max PIM (3rd order, 2x20W) dBc | -153 | | | -153 | | | | |
| Maximum input power port, watts | 250 | | | 150 | | | | |

| Electrical specification (min/max) | Ports 3, 4, 5, 6 | Ports 7, 8 |
|--|------------------|---------------|
| Frequency bands, MHz | 3400-4200 | 5150-5925 |
| Polarization | ± 45° | ± 45° |
| Average gain, dBi | 13.4 | 5.4 |
| Horizontal beamwidth (HBW), degrees ¹ | 30.3° | 65.0° |
| Vertical beamwidth (VBW), degrees ¹ | 45.0° | 27.5° |
| Fixed electrical downtilt (EDT), degrees | 0° | |
| Cross-polar isolation, port-to-port, dB ¹ | 25 | 25 |
| Max VSWR / return loss, dB | 1.5:1 / -14.0 | 1.5:1 / -14.0 |
| Max PIM (3rd order, 2x20W) dBc | N/A | |
| Maximum input power, watts | 50 | 10 |

¹ Typical value over frequency.

Note: Vertical beam upper side lobe at 5150-5250 MHz < -12 dB at > 30° above horizon

| Mechanical specifications | |
|---|--|
| Dimensions height/width/depth, inches (mm) | 24.25/ 14.6/ 7.9 (616/ 371/ 201) |
| No. of RF input ports, connector type, and location | 8 x 4.3-10 female, back |
| RF connector torque | 96 lbf·in (10.85 N·m or 8 lbf·ft) |
| Net antenna weight, lb (kg) | 14.2 (6.5) |
| Weight with supplied bracket, lb (kg) | 19.4 (8.8) |
| Shipping weight, lbs. (kg) | 28.4 (13) |
| Supplied bracket kit | 91900324 (included) |
| Mechanical down-tilt range | +/- 25° lateral (azimuth adjustment) and +/- 50° vertical (up/down tilt) |
| Rated wind survival speed, mph (km/h) | 120 (193) with 91900324 bracket kit |
| Frontal wind loading @ 150 km/h, lbf (N) | 16.25 (72.29) |
| Equivalent flat plate @ 100 mph and Cd=2, sq ft | 0.33 |



| Array topology | | | Notes | | | | | | | | | | | | | | |
|----------------|--|----------|-------|---------|-------|-------------------|-----|----|-----------|-----|----|-----------|-----|----|-----------|-----|--|
| | <table border="1"> <thead> <tr> <th>Array ID</th> <th>Band</th> <th>RF port</th> </tr> </thead> <tbody> <tr> <td>R1/Y1</td> <td>617-960/1695-2700</td> <td>1-2</td> </tr> <tr> <td>P1</td> <td>3400-4200</td> <td>3-4</td> </tr> <tr> <td>P2</td> <td>3400-4200</td> <td>5-6</td> </tr> <tr> <td>O1</td> <td>5150-5925</td> <td>7-8</td> </tr> </tbody> </table> | Array ID | Band | RF port | R1/Y1 | 617-960/1695-2700 | 1-2 | P1 | 3400-4200 | 3-4 | P2 | 3400-4200 | 5-6 | O1 | 5150-5925 | 7-8 | <p>Refer to JMA weep hole modification guide at jmawireless.com for mandatory drilling instructions.</p> <p>The SX antennas can be painted in accordance with the JMA painting guidelines at jmawireless.com</p> |
| Array ID | Band | RF port | | | | | | | | | | | | | | | |
| R1/Y1 | 617-960/1695-2700 | 1-2 | | | | | | | | | | | | | | | |
| P1 | 3400-4200 | 3-4 | | | | | | | | | | | | | | | |
| P2 | 3400-4200 | 5-6 | | | | | | | | | | | | | | | |
| O1 | 5150-5925 | 7-8 | | | | | | | | | | | | | | | |

| Ordering information | |
|----------------------|---|
| Antenna model | Description |
| SX08FRO128-01 | 1F X-Pol 8-port panel 28°, 4.3-10 |
| 919055 | Optional inverted mounting kit for 4.0-10.0 in. OD pole |
| 91900313 | Optional bracket kit for extended horizontal and vertical tilt ranges |