



MX06FIT665-02E

NWAV™ X-Pol Hex-Port Antenna

X-Pol Hex-Port 6 ft 65° macro FIT (Form in Tighter):

2 ports 698-894 MHz and 4 ports 1695-2200 MHz

- Excellent passive intermodulation (PIM) performance reduces harmful interference.
- Fully integrated (iRETs) with independent RET control for low and high bands for ease of network optimization
- Enhanced low band and midband pattern performance
- Superior cross polarization and front-to-back performance
- Suitable for 5G/LTE/CDMA/PCS/UMTS/GSM air interface technologies
- Integrated Smart Bias-Ts reduce leasing costs
- Optimized width and lighter weight for reduced wind loading



Electrical specification (minimum/maximum)	Ports 1, 2		Ports 3, 4, 5, 6		
Frequency bands, MHz	698-806	806-894	1695-1880	1850-1990	1920-2200
Polarization	± 45°		± 45°		
Maximum gain over all tilts, dBi	14.6	14.9	18.1	18.3	18.4
Average gain over all tilts, dBi	14.4 ± 0.2	14.7 ± 0.2	17.8 ± 0.3	18.0 ± 0.3	18.1 ± 0.3
Horizontal beamwidth (HBW), degrees	67	65	66	64	62
Front-to-back ratio, co-polar power @180°± 30°, dB	>27	>30	>30	>32	>30
X-Pol discrimination (CPR) at boresight, dB	>20	>20	>25	>20	>20
Sector power ratio, percent ¹	<4.6	<3.6	<4.1	<3.8	<3.6
Vertical beamwidth (VBW), degrees ¹	13.5	12.0	5.8	5.6	5.2
Electrical downtilt (EDT) range, degrees	0-14		0-9		
First upper side lobe (USLS) suppression, dB ¹	≤-17.0	≤-16.0	≤-18.0	≤-16.0	≤-16.0
Cross-polar isolation, port-to-port, dB ¹	25	25	25	25	25
Max VSWR / return loss, dB	1.5:1 / -14.0		1.5:1 / -14.0		
Max passive intermodulation (PIM), 2x20W carrier, dBc	-153		-153		
Max input power per any port, watts	300		250		
Total composite power all ports, watts	1500				

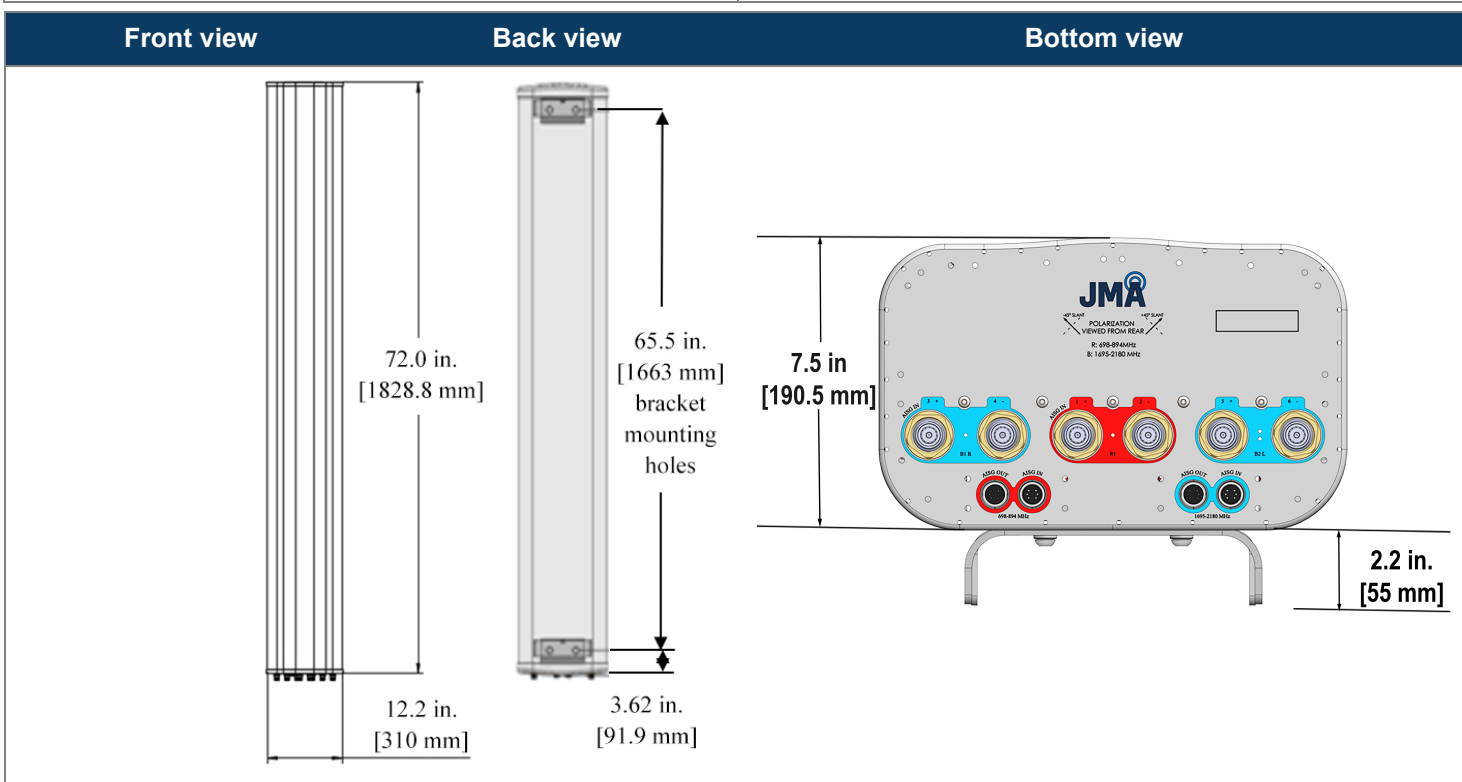
¹ Typical value over frequency and tilt



MX06FIT665-02E

NWAV™ X-Pol Hex-Port Antenna

Mechanical specifications	
Dimensions height/width/depth, inches (mm)	72.0/ 12.2/ 7.5 (1828.8/ 310/ 191)
Shipping dimensions length/width/height, inches (mm)	76/ 20/ 14.5 (1930/ 508/ 368)
No. of RF input ports, connector type, and location	6 x 4.3-10 female, bottom
RF connector torque	96 lbf-in (10.85 N·m or 8 lbf-ft)
Net antenna weight, lb (kg)	40 (18.1)
Shipping weight, lb (kg)	86 (39.0)
Antenna mounting and downtilt kit included with antenna	91900318
Net weight of the mounting and downtilt kit, lb (kg)	26 (11.82)
Range of mechanical up/down tilt	-2° to 12°
Rated wind survival speed, mph (km/h)	150 (241)
Frontal and lateral wind loading @ 150 km/h, lbf (N)	66.9 (292.6), 60.0 (266.9)
Equivalent flat plate @ 100 mph and Cd=2, sq ft	1.41
EPA frontal and lateral, ft ² , (m ²)	2.0 (0.28), 3.6 (0.33)



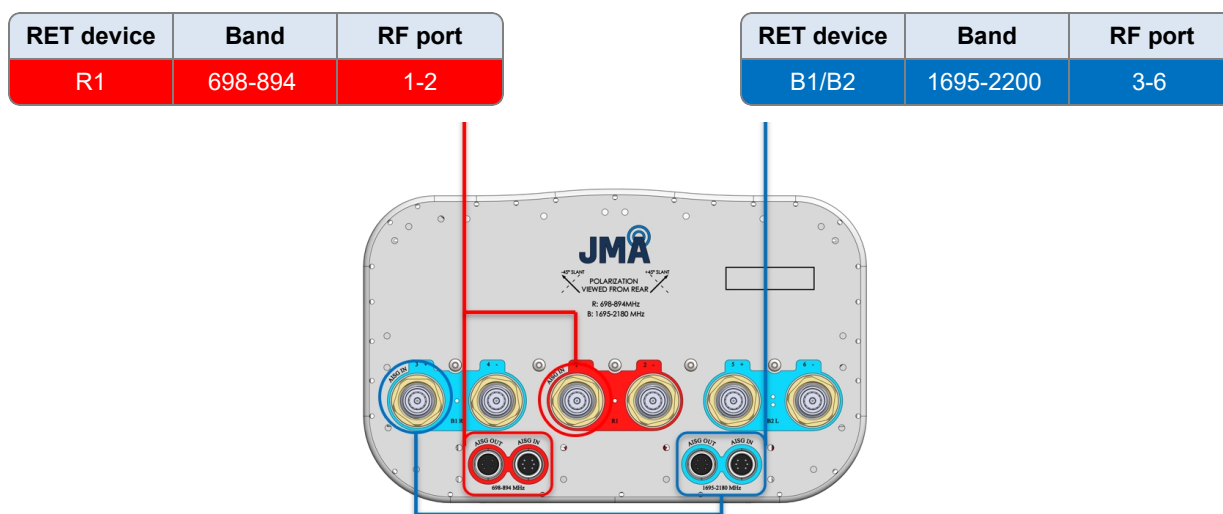
Ordering information	
Antenna model	Description
MX06FIT665-02E	6F X-Pol HEX FIT 65°, 0-14° / 0-9° RET, 4.3-10 & SBT
Optional accessories	
AISG cables	M/F cables for AISG connections
PCU-1000 RET controller	Stand-alone controller for RET control and configurations

Remote electrical tilt (RET 1000) information

RET location	Integrated into antenna
RET interface connector type	8-pin AISG connector per IEC 60130-9
RET connector torque	Min 0.5 N·m to max 1.0 N·m (hand pressure & finger tight)
RET interface connector quantity	2 pairs of AISG male/female connectors
RET interface connector location	Bottom of the antenna
Total no. of internal RETs (low bands)	1
Total no. of internal RETs (high bands)	1
RET input operating voltage, vdc	10-30
RET max power consumption, idle state, W	≤ 2.0
RET max power consumption, normal operating conditions, W	≤ 13.0
RET communication protocol	AISG 2.0 / 3GPP

RET and RF connector topology

Each RET device can be controlled either via the designated external AISG connector or RF port as shown below:



Array topology

3 sets of radiating arrays R1: 698-894 MHz B1: 1695-2200 MHz B2: 1695-2200 MHz	<table border="1"> <thead> <tr> <th>Band</th> <th>RF port</th> </tr> </thead> <tbody> <tr> <td>1695-2200</td> <td>3-4</td> </tr> <tr> <td>698-894</td> <td>1-2</td> </tr> <tr> <td>1695-2200</td> <td>5-6</td> </tr> </tbody> </table>	Band	RF port	1695-2200	3-4	698-894	1-2	1695-2200	5-6	
	Band	RF port								
1695-2200	3-4									
698-894	1-2									
1695-2200	5-6									