

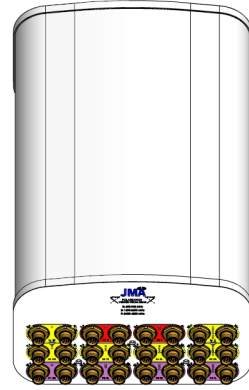
DX24FRO265-04

NWAV™ 2F Panel Antenna

24-port panel antenna from 698-4200 MHz

2F panel antenna, 24 ports: 4 ports 698-960, 12 ports 1695-2690 MHz, 8 ports 3400-4200 MHz

- X-Pol, Small Cell, panel antenna
- Suitable for pole or building mount
- 4x4 MIMO for PCS, AWS, WCS, and BRS
- 4x4 MIMO for Low-Band
- 4x4 MIMO for CBRS and C-Band

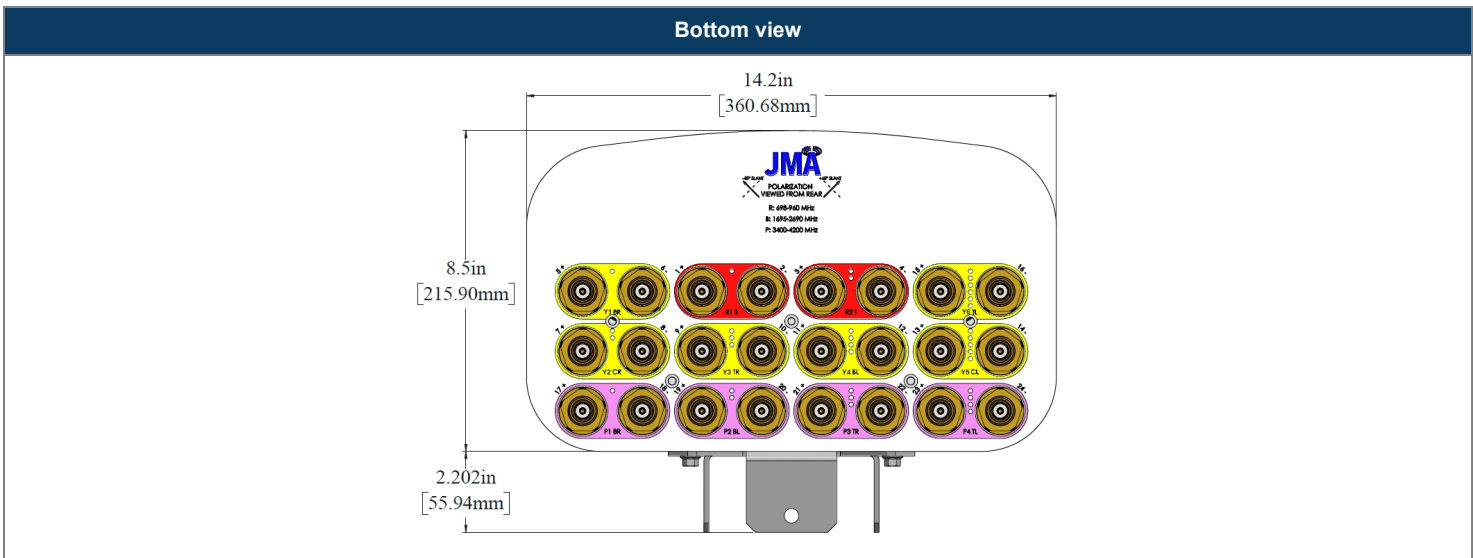
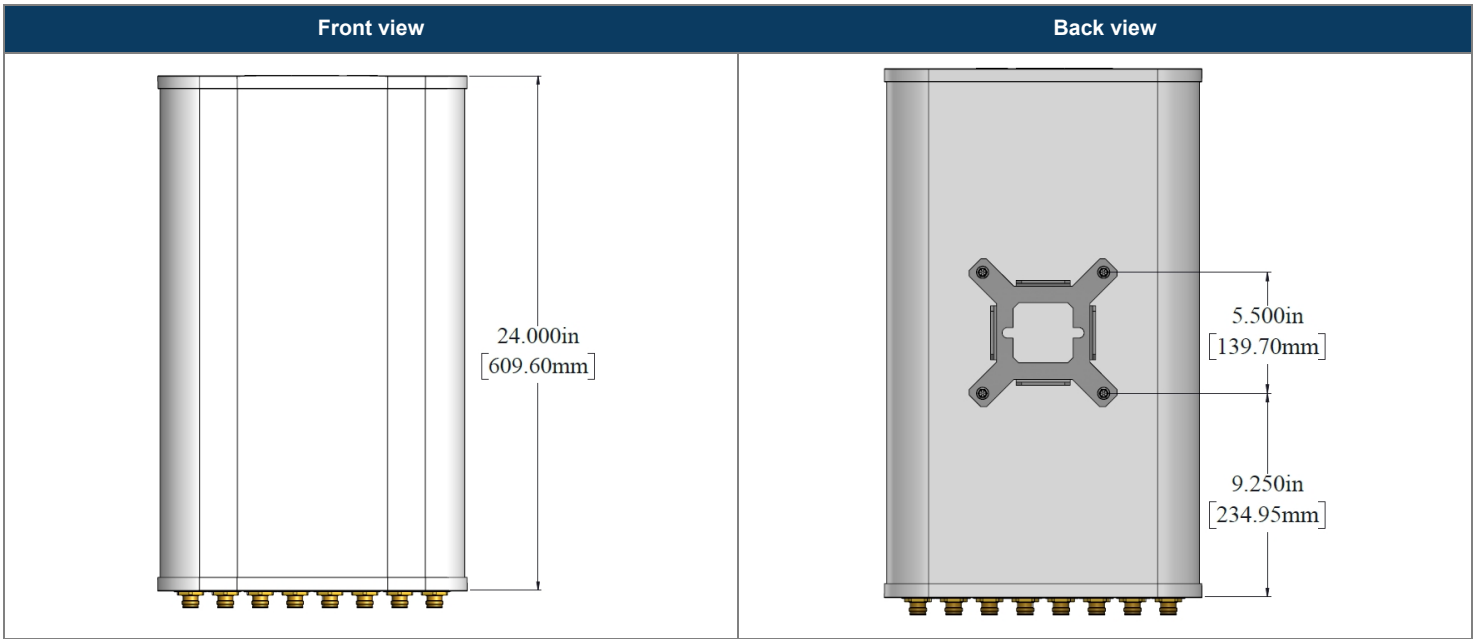


Electrical specification (min/max)	Ports 1, 2, 3, 4			Ports 5, 6, 7, 8, 9, 10, 11, 12, 13, 14, 15, 16				
Frequency bands, MHz	698-798	824-894	880-960	1695-1880	1850-1990	1920-2180	2300-2400	2496-2690
Polarization	± 45°			± 45°				
Average gain, dBi	7	7.1	7.4	9.8	10.1	10.8	11.1	11.7
Horizontal beamwidth (HBW), degrees ¹	72	74	75	66	65	62	59	57
Vertical beamwidth (VBW), degrees ¹	78	73	65	46	44	39	37	33
Fixed electrical downtilt (EDT), degrees	0			4				
Cross-polar isolation, port-to-port, dB ¹	25			25				
Max VSWR / return loss, dB	1.5:1 / -14.0			1.5:1 / -14.0				
Max PIM (3rd order, 2x20W) dBc	-153			-153				
Maximum input power port, watts	100			150				

Electrical specification (min/max)	Ports 17, 18, 19, 20, 21, 22, 23, 24	
Frequency bands, MHz	3400-3700	3700-4200
Polarization	± 45°	± 45°
Gain, dBi	14	13.7
Horizontal beamwidth (HBW), degrees ¹	52	56
Vertical beamwidth (VBW), degrees ¹	21	22
Fixed electrical downtilt (EDT), degrees	0	0
Cross-polar isolation, port-to-port, dB ¹	22	25
Max VSWR / return loss, dB	1.5:1 / -14.0	1.5:1 / -14.0
Max PIM (3rd order, 2x20W) dBc	N/A	-145
Maximum input power, watts	100	

¹ Typical value over frequency.

Mechanical specifications	
Dimensions height/width/depth, inches (mm)	24/ 14.2/ 8.5 (610/ 360.7/ 215.9)
No. of RF input ports, connector type, and location	24 x 4.3-10 female, back
RF connector torque	96 lbf·in (10.85 N·m or 8 lbf·ft)
Net antenna weight, lb (kg)	22 (10.0)
Weight with supplied pipe mount bracket, lb (kg)	27.1 (12.3)
Shipping weight, lb (kg)	33 (15.0)
Rated wind survival speed, mph (km/h)	150 (241)
Frontal wind loading @ 150 km/h, lbf (N)	22.3 (99.4)



Ordering information	
Antenna model	Description
DX24FRO265-04	2F panel antenna, 24 ports, (4) 698–960 zero degrees EDT, (12) 1695-2690 four degrees EDT, (8) CBRS/C-Band zero degrees EDT
Mounting kit (included)	91900324 articulating bracket with X- and Y-axis adjustments and rotation