

XGU-165

Antenna Systems Group

<p>X-pol Dual Band Antenna, 698-960/1695-2700 MHz</p> <p>Horizontal beamwidth</p> <ul style="list-style-type: none"> • 698-960 MHz low-band and 1695-2700 MHz high-band • Widely used stadium antenna • Included multi-position stadium bracket accommodates most mounting surfaces • Suitable for WCS/LTE/CDMA/UMTS/GSM/WiMAX (Neutral Host) 	
---	--

<p>Available with Integrated Diplexers</p> <p>Reduces RF cables</p> <p>Eliminates external devices</p>	
---	--

ELECTRICAL SPECIFICATIONS						
Frequency Band, MHz	698-824	824-960	1695-1920	1920-2200	2200-2360	2360-2700
Horizontal beamwidth, 3 dB points	86°	77°	65°	66°	57°	53°
Gain, dBi	7.1	7.6	10.7	10.5	11.2	11.7
Vertical beamwidth, 3dB points	78°	68°	40°	36°	31°	29°
Front-to-back at 180°, dB	> 20		> 28			
Polarization	+/-45°			+/-45°		
Electrical downtilt	0°			0°		
VSWR / return loss, dB, maximum	1.5:1/14			1.5:1/14		
Isolation between ports, dB, minimum	28			26		
Intermodulation (2 x 20 w), IM3, dBc, maximum	-153			-153		
Impedance, ohms	50			50		
Maximum power per connector, CW (w)	250 @ 800 MHz			125 @ 1900 MHz		

XGU-165

Antenna Systems Group

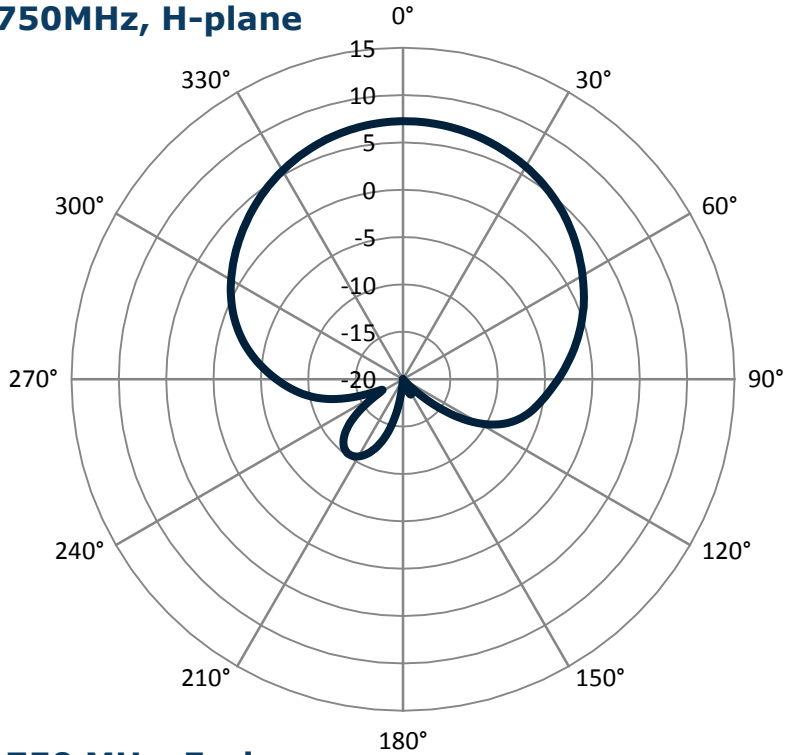
MECHANICAL SPECIFICATIONS

Dimensions, length/width/depth	12.0/12.6/5.6 in. (304.8/320.0/142.2 mm)
Connector (quantity) type	(2 or 4) 7-16 DIN female
Connector torque	220-265 lbf·in (23-30 N·m)
Connector location	Back
Antenna weight	10.8 lb (4.9 kg)
Bracket weight	5.4 lb (2.4 kg)
Standard bracket kit	P/N 919050
Mechanical down tilt range	+/- 35° lateral & +/- 55° vertical
Radome material	High-strength Luran [®] , UV stabilized, ASTM D1925
Wind survival	150 mph (241.4 km/h)
Front wind load @ 100 mph	26.0 lbf (115.8 N)
Equivalent flat plate @ 100 mph	0.52 sq-ft (c=2)

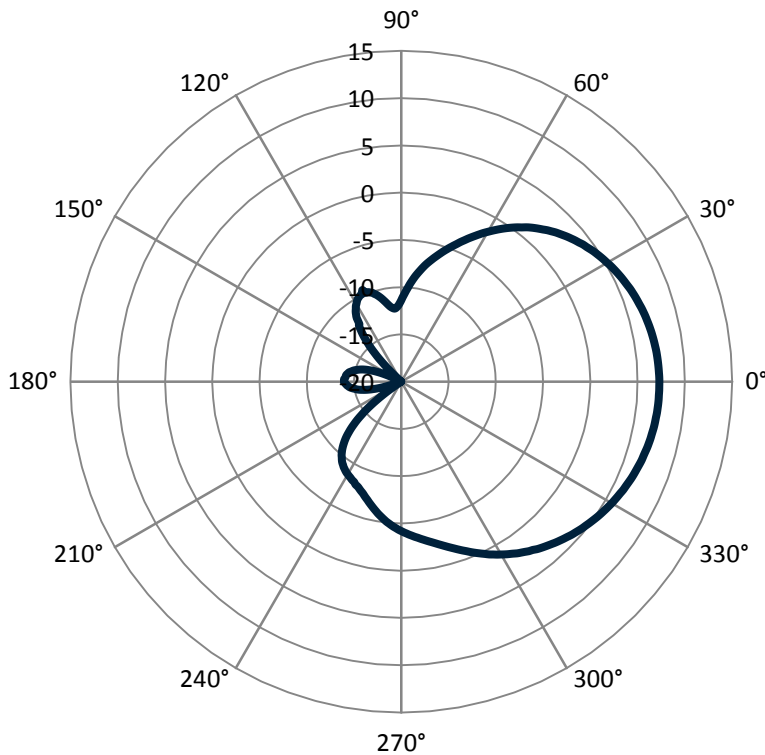
ORDER INFORMATION

MODEL	DESCRIPTION
XGU-165	X-Pol dual band, 0° electrical down tilt with four DIN connectors.
XGU-165-I	X-Pol dual band, 0° electrical down tilt with two DIN connectors and integrated diplexers.
919055	Optional inverted mounting kit for 4.0-10.0 in. OD pole.
91900313	Optional bracket kit for extended horizontal and vertical tilt ranges.

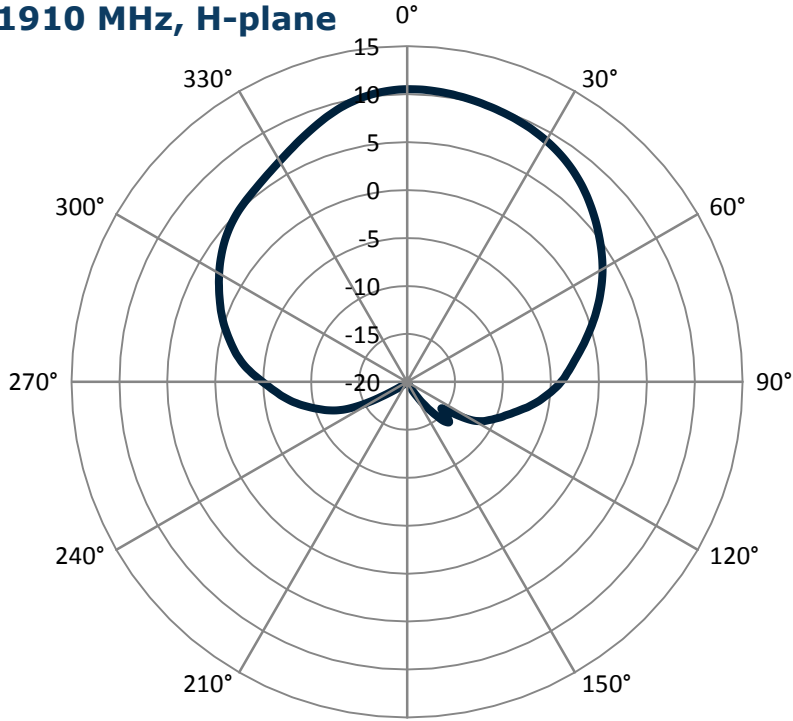
Pattern Plot: 750MHz, H-plane



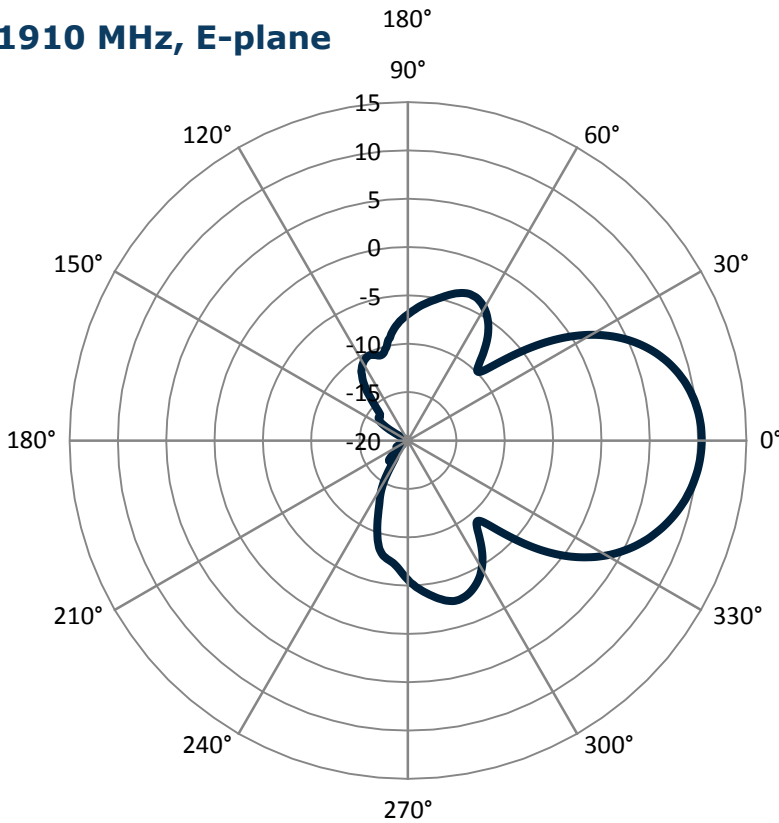
Pattern Plot: 750 MHz, E-plane



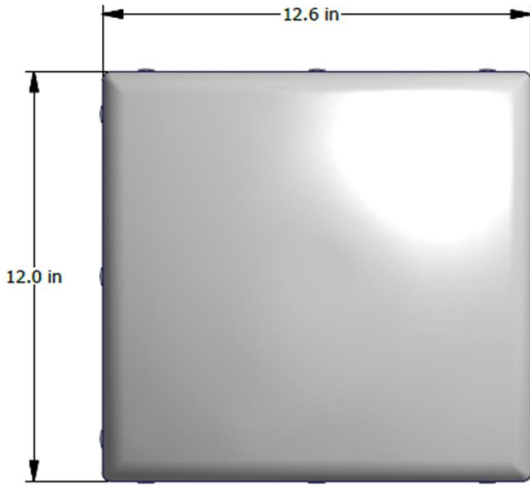
Pattern Plot: 1910 MHz, H-plane



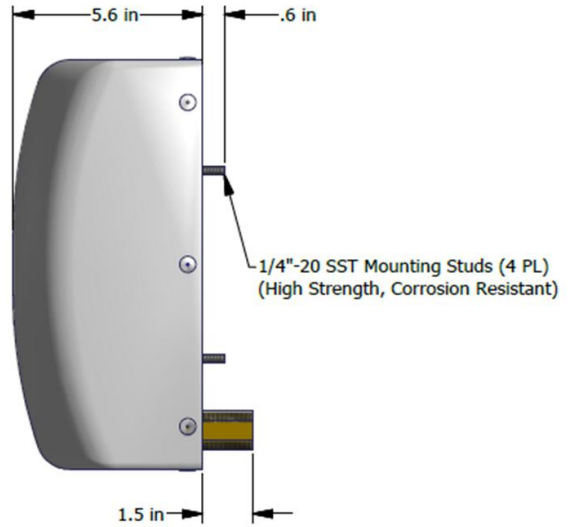
Pattern Plot: 1910 MHz, E-plane



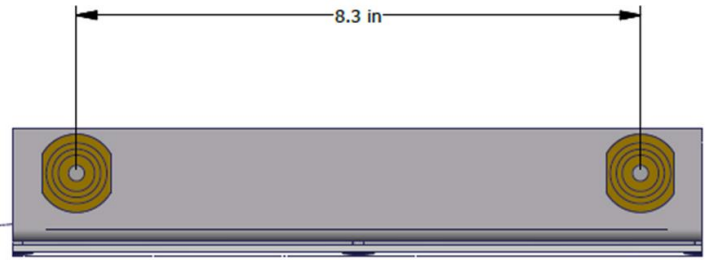
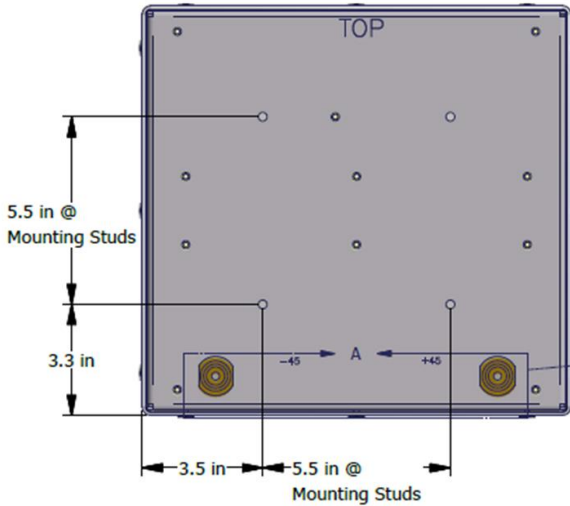
Mechanical Outline Drawing: -I Version



FRONT VIEW



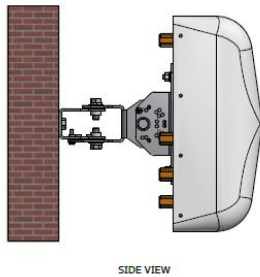
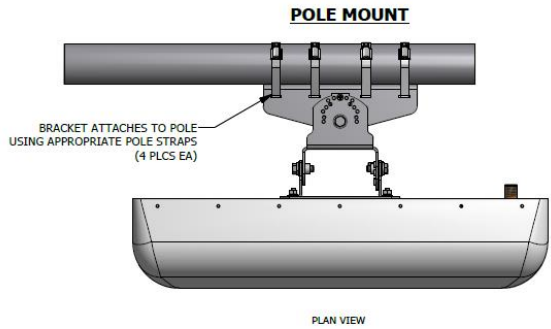
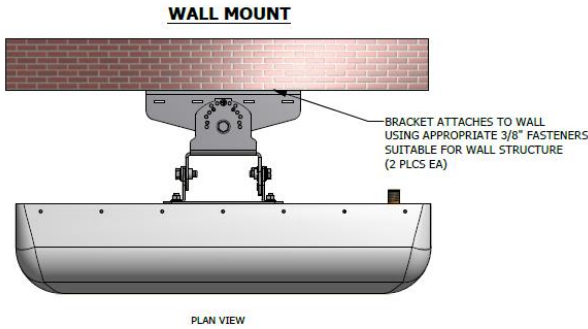
SIDE VIEW



DETAIL A

Examples of standard stadium bracket kit 919050 installation

Note: For mounting details, refer to installation drawing, P/N 919050, on the JMA website Antenna Matrix.



Note: If the bracket is used in applications that provide additional tilt to the antenna (e.g. slanted poles, upside down hanging, etc.), different weep holes may be required. Please consult our weep hole guide at jmawireless.com/support.

