

X7CQAP-FRO-633-V

+/- 45° Polarization, (1) 698-896MHz & (2) 1695-2180 MHz Antenna, 72" Length, Fast Roll Off 33° Horizontal Pattern, Variable E-Tilt

- Fast Roll Off (FRO) improves intra- and inter-cell SINR
- Separate housing and reflector construction optimizes RF performance while maximizing mechanical strength
- Good passive intermodulation (PIM) performance reduces harmful interference
- Independent tilt per array
- Suitable for LTE/CDMA/UMTS/GSM
- AISG 2.0 RET control



ELECTRICAL SPECIFICATIONS

| Frequency band, MHz | 698-824 | 824-896 | 1695-1850 | 1850-1990 | 1990-2180 |
|--|-------------|---------|-------------|-----------|-----------|
| Horizontal beam width, 3dB points | 34° | 33° | 37° | 36° | 34° |
| Gain, dBi | 18.8 | 19.4 | 19.6 | 19.2 | 19.3 |
| Vertical beam width, 3dB points | 13.3° | 11.8° | 6.1° | 5.8° | 5.6° |
| Upper side lobe suppression, typical, dB | <-16 | <-16 | <-16 | <-16 | <-16 |
| Front-to-back at 180°, dB | > 30 | | > 30 | | |
| Polarization | +/-45° | | 2 x +/-45° | | |
| Electrical downtilt | 0°-14° | | 0°- 12° | | |
| VSWR/return loss, dB, maximum | 1.5:1/-14.0 | | 1.5:1/-14.0 | | |
| Isolation between ports, dB, minimum | >28 | | >28 | | |
| Intermodulation (2x20w), IM3, dBc, maximum | -153 | | -153 | | |
| Impedance, ohms | 50 | | 50 | | |
| Maximum power per connector, CW (w) | 500 | | 250 | | |

MECHANICAL SPECIFICATIONS

| | |
|---|---|
| Dimensions, length/width/depth | 72.0/24.0/9.5 in (1829/610/236 mm) |
| Connector (quantity) type | (6) total: (2) low, (4) high band 7-16 DIN female |
| Connector torque | 220-265 lbf-in (25-30 N-m) |
| Connector location | back |
| Antenna weight | 71 lbs (32.27) Kg |
| Bracket weight (not included in antenna weight) | 13.2 lbs (5.99Kg) |
| Standard bracket kit | 919032 (Included) |
| Mechanical downtilt range | 0°-6° |
| Radome material | High-strength Luran® UV stabilized, ASTM D1925 |
| Wind survival | 150 mph (241 km/h) |
| Front wind load @100mph | 296.6 lbf (1319.5 N) |
| Equivalent flat plate @100mph | 5.92 sq-ft (c=2) @100 mph |

RET INFORMATION (RET motors included in VR0 & VR4 models)

| | |
|------------------------|----------|
| Model | RET-200 |
| Mounting location | back |
| Communication standard | AISG 2.0 |
| Control system | PCU-220 |



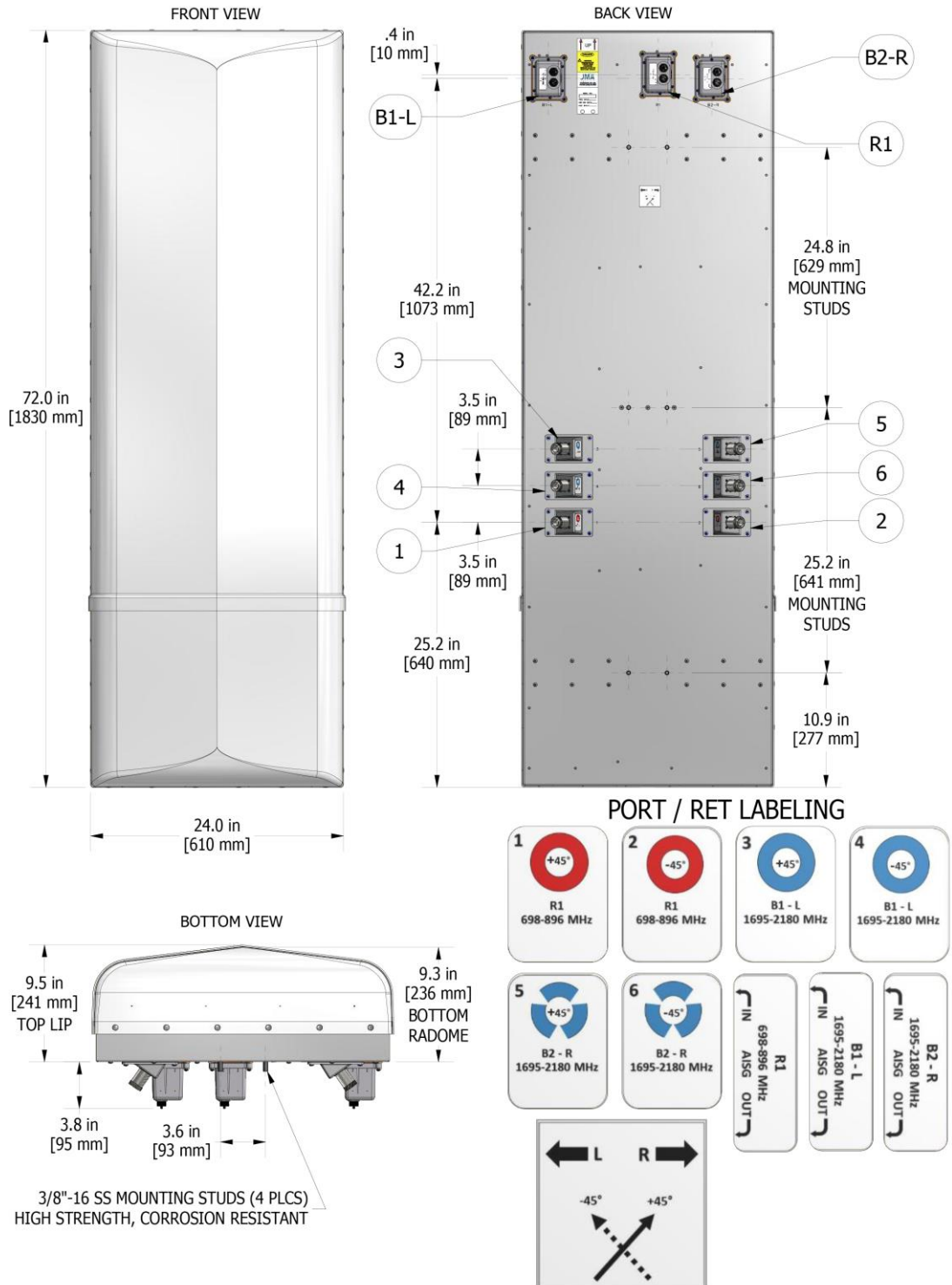
ORDER INFORMATION

| MODEL | DESCRIPTION |
|-------------------|--|
| X7CQAP-FRO-633-VR | 6F, HEX, FRO 33° 0-14° / 0-12° EDT |
| 919049 | Optional bracket kit, 2-point, 6Deg D-tilt, for 4.5" OD pole |

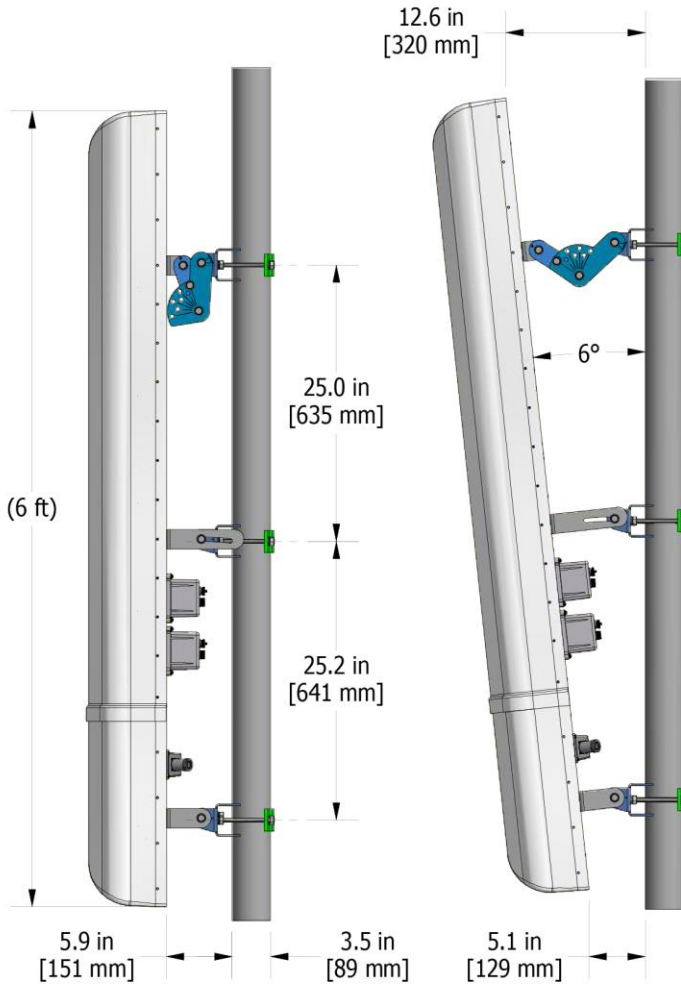
OTHER ORDERING INFORMATION

| MODEL | DESCRIPTION |
|-----------------|------------------------------------|
| 992100-CA013-SC | AISG Jumper cable, M/F, 1.3 meters |

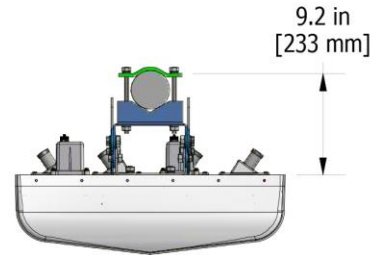
MECHANICAL VIEWS – X7CQAP-FRO-633-VR



STANDARD BRACKET KIT – 919032



CSS P/N: 919032 BRACKET KIT, 6 DEG D-TILT
 SHOWN MOUNTED ON 3.5" O.D. POLE
 3.5" O.D. MAX POLE SIZE



OPTIONAL BRACKET KIT – 919049

