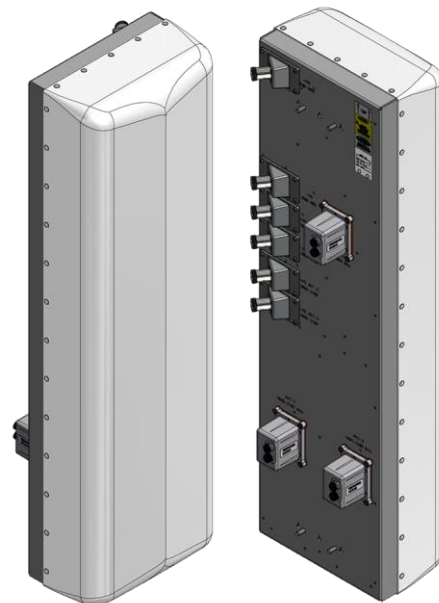


X7CQAP-480-V

+/- 45° Polarization, (1) 698-896MHz & (2) 1695-2180 MHz Antenna, 50.5" length, 80°Horizontal Pattern, Variable E-Tilt

- Separate housing and reflector construction optimizes RF performance while maximizing mechanical strength
- Good Passive Intermodulation (PIM) performance reduces harmful interference
- Suitable for LTE/CDMA/UMTS/GSM
- Independent tilt control per array
- AISG 2.0 RET Control



ELECTRICAL SPECIFICATIONS

Frequency Band, MHz	698-824	824-896	1695-1880	1850-1990	1920-2180
Horizontal Beam Width, 3dB points	85°	70°	88°	90°	85°
Gain, dBi	13	13.4	14.2	14.9	14.3
Vertical Beam Width, 3dB points	17.5°	15.5°	8°	7.7°	7.3°
Upper Side Lobe Suppression, Typical, dB	<-18	<-18	<-18	<-18	<-18
Front-to-Back at 180°, dB	> 22		> 22		
Polarization	+/-45°		2x +/-45°		
Electrical Downtilt (See Order Information)	0°-16°		0° - 11°		
VSWR/Return Loss, dB, Maximum	1.5:1/-14.0		1.5:1/-14.0		
Isolation Between Ports, dB, Minimum	> 25		> 26		
Intermodulation (2x20w), IM3, dBc, Maximum	-153		-153		
Impedance, ohms	50		50		
Maximum Power Per Connector, CW (w)	500		250		

MECHANICAL SPECIFICATIONS

Dimensions, Length/Width/Depth	50.6/14.7/9.0 in. (1285/372/230mm)
Connector (Quantity) Type	6 total: 2 low, 4 high band 7-16 DIN Female
Connector Torque	220-265 lbf-in (23-30 N-m)
Connector Location	Back
Antenna Weight	32.5 lbs (14.8 kg)
Bracket Weight	14.8 lbs (6.73 Kg)
Standard Bracket Kit	919061 (Included)
Mechanical Downtilt Range	0°-12°
Radome Material	High Strength Luran, UV Stabilized, ASTM D1925
Wind Survival	150 mph (241 km/h)
Front Wind Load	127.34 lbf (566.45 N) @100mph
Equivalent Flat Plate	2.54 sq-ft (c=2) @ 100mph

RET INFORMATION

Model	RET-200
Mounting Location	Back
Communication Standard	AISG 2.0
Control System	PCU-1000



ORDER INFORMATION

MODEL	DESCRIPTION
X7CQAP-480-VR0	Remote motor adjust variable e-tilt (RET), EDT 0-16° low band and 0-11° high band

OPTIONAL BRACKET KIT

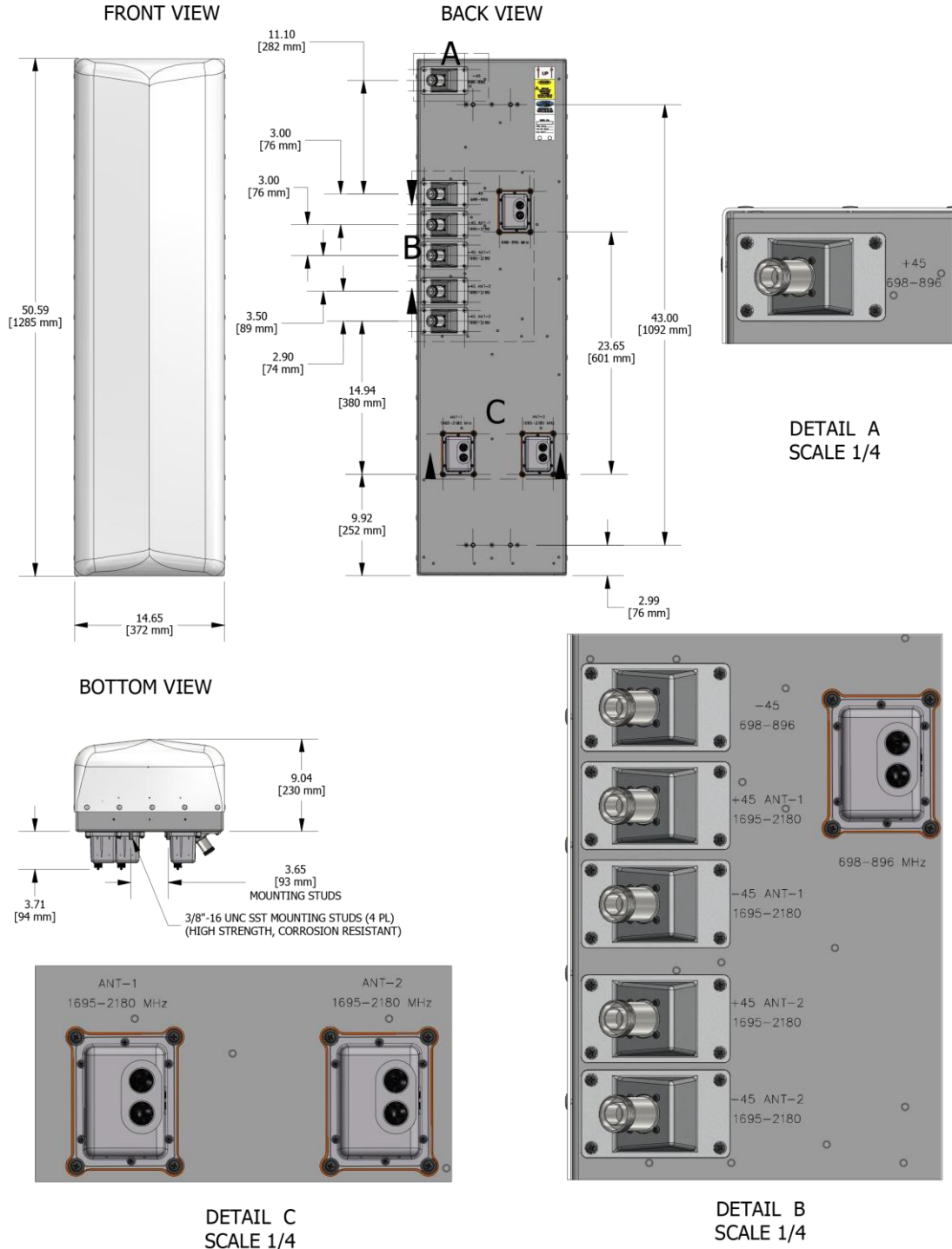
MODEL	DESCRIPTION
919036	Bracket Kit, 2-Point, 12deg D-tilt, For 4.5" OD Pole

RET ORDERING INFORMATION

MODEL	DESCRIPTION
992100-CA005-SC	AISG Jumper Cable, M/F, 0.5 meters
992100-CA010-SC	AISG Jumper Cable, M/F, 1.0 meters

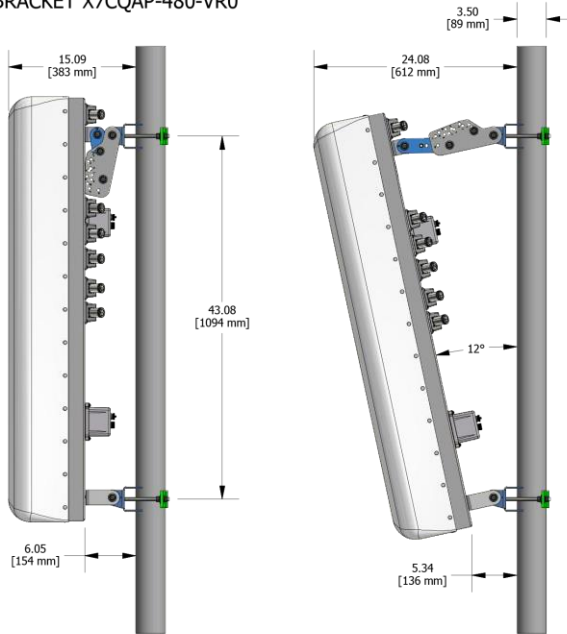
Mechanical Outline Drawing

X7CQAP-480-VR0

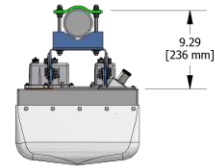


Standard Bracket Kit - 919061

919061 BRACKET X7CQAP-480-VR0

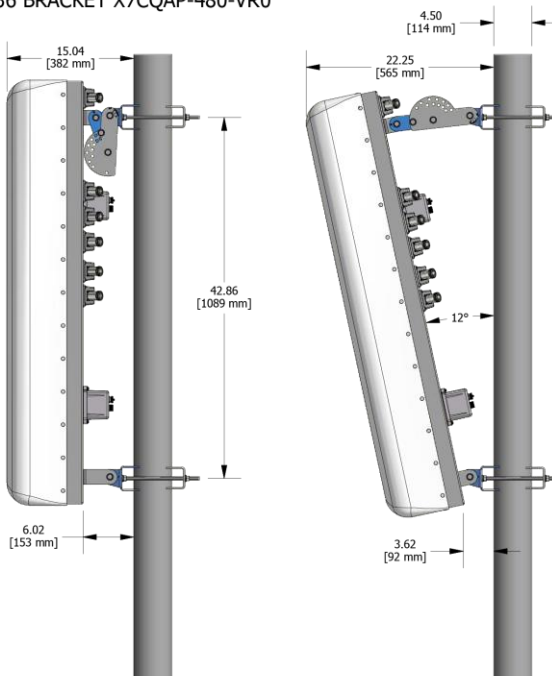


P/N: 919061 BRACKET KIT
 2 POINT, 12 DEGREE DOWN TILT
 SHOWN MOUNTED ON 3.5" O.D. POLE
 3.5" O.D. MAX POLE SIZE



Optional Bracket Kit - 919036

919036 BRACKET X7CQAP-480-VR0



P/N: 919036 BRACKET KIT
 2 POINT, 12 DEGREE DOWN TILT
 SHOWN MOUNTED ON 4.5" O.D. POLE
 4.5" O.D. MAX POLE SIZE

