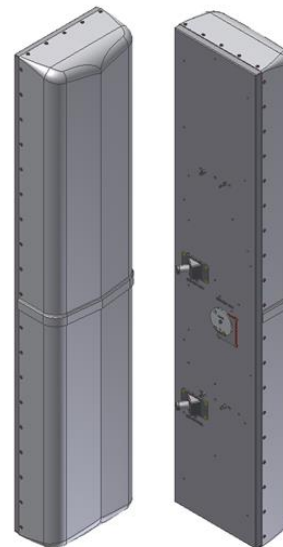


X7C-FRO-660-V

X-Pol Antenna, 698-896MHz, Fast-Roll-Off, 72", 60° H-Beam
RET

- Macro Cell Antenna
- Fast Roll Off (FRO)
- Suitable for LTE/CDMA/UMTS/GSM
- AISG 2.0 RET control



ELECTRICAL SPECIFICATIONS

Frequency Band, MHz	698-824	824-896
Horizontal Beam width, 3dB points	62	58
Gain, dBi	15.8	15.8
Vertical Beam width, 3dB points	11.9	10.5
Front-to-Back Ratio at 180°, dB	>28	
Upper Side lobe Suppression, Typical, dB	>18	
Polarization	+/-45°	
Electrical Down tilt	0-10° or 4-14°	
VSWR/Return Loss, dB, Maximum	1.5:1/14.0	
Isolation Between Ports, dB, Minimum	>28	
Intermodulation (2x20w), IM3, dBc	-153	
Impedance, ohms	50	
Maximum Power Per Connector, CW (w)	500	

MECHANICAL SPECIFICATIONS

Dimensions, Length/Width/Depth	72.0/14.6/8.2 in (1829/372/209 mm)
Connector (Quantity) Type	(2) 7-16 DIN Female
Connector Torque	220-265 lbf-in (23-30 N-m)
Connector Location	Back
Antenna Weight	35.0 lbs
Bracket Weight	13.2 lb (6.0 kg)
Standard Bracket Kit	P/N 919011 (Included with antenna)
Mechanical Downtilt Range	0-12°
Radome Material	High Strength Luran, UV Stabilized, ASTM D1925
Wind Survival	150 mph (241 km/h)
Front Wind Load	204.7lbf (910.6 N) @100mph
Equivalent Flat Plate	4.09 sq-ft (c=2) @ 100mph

RET INFORMATION

Model	RET-200
Mounting Location	Rear of Antenna
Weight	1.2 lb (0.54 kg)
Communication Standard	AISG 2.0
Control System	PCU-1000

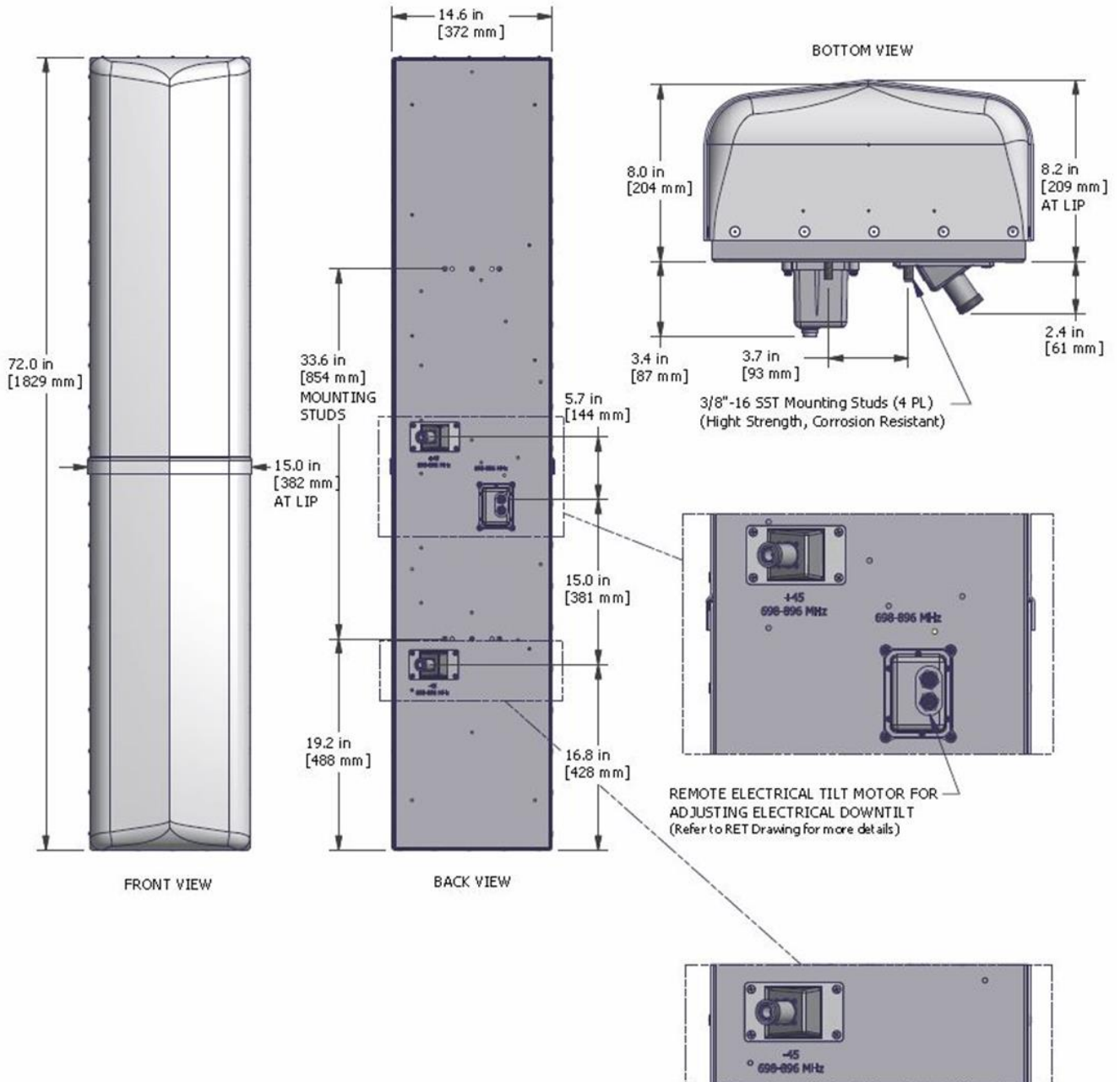


ORDER INFORMATION

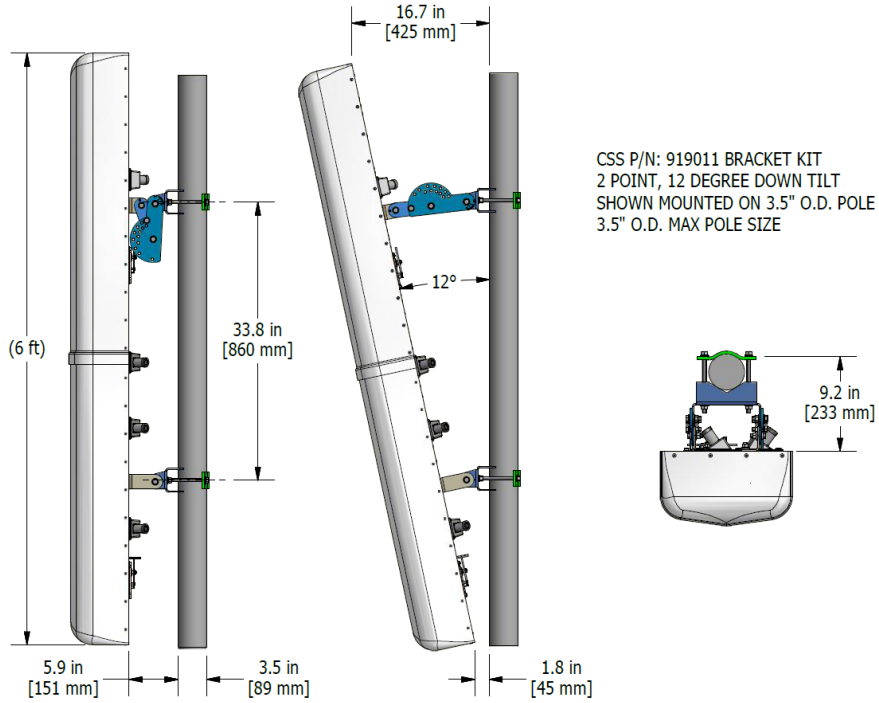
MODEL	DESCRIPTION
X7C-FRO-660-VR0	Antenna with remote RET adjust electrical downtilt 0-10°
X7C-FRO-660-VR4	Antenna with remote RET adjust electrical downtilt 4-14°
919036	Optional Bracket Kit, 2-Point, 12 deg D-tilt, For 4.5" OD Pole

Mechanical Outline Drawing

X7C-FRO-660-VR



Standard Bracket Kit



Optional Bracket Kit

