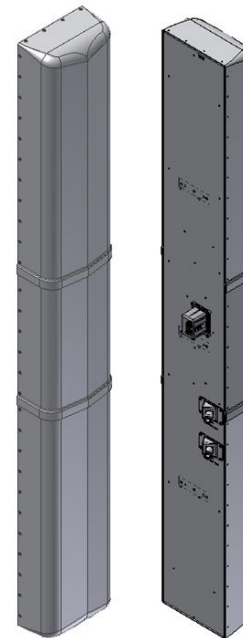


## X7C-865-V

X-Polarization, 698-896 MHz, 96.0", 65° H-Beam  
Variable E-Tilt, RET

- Macro Cell Antenna
- Suitable for LTE/CDMA/UMTS/GSM
- AISG 2.0 RET control



### ELECTRICAL SPECIFICATIONS

Frequency Band, MHz	698-824 MHz	824-896 MHz
Horizontal Beamwidth, 3dB points	70°	65°
Gain, dBi	16.4	16.9
Vertical Beamwidth, 3dB points	9.3°	8.3°
Front-to-Back at 180°, dB	> 28	
Upper Sidelobe Suppression, Typical, dB	22	
Polarization	+/-45°	
Electrical Downtilt Range, 2° Increments	0-6° or 4-10°	
VSWR/Return Loss, dB, Maximum	1.5:1/-14.0	
Isolation Between Ports, dB, Minimum	>28	
Intermodulation (2x20w), IM3, dBc	-150	
Impedance, ohms	50	
Maximum Power Per Connector, CW (w)	500	

## MECHANICAL SPECIFICATIONS

Dimensions, Length/Width/Depth	96.0/12.5/7.3 in (2438/318/180 mm)
Connector (Quantity) Type	(2) 7-16 DIN Female
Connector Torque	220-265 lbf-in (23-30 N-m)
Connector Location	Back
Antenna Weight	40.0 lbs (18.1kg)
Bracket Weight	18.2 lb (8.2 kg)
Standard Bracket Kit	P/N 919032 ( Included )
Mechanical Downtilt Range	0-6°
Radome Material	High Strength Luran, UV Stabilized, ASTM D1925
Wind Survival	150 mph (241 km/h)
Front Wind Load	233.7 lbf (1039.5 N) @100mph
Equivalent Flat Plate	4.67 sq-ft (c=2) @ 100mph

## RET INFORMATION

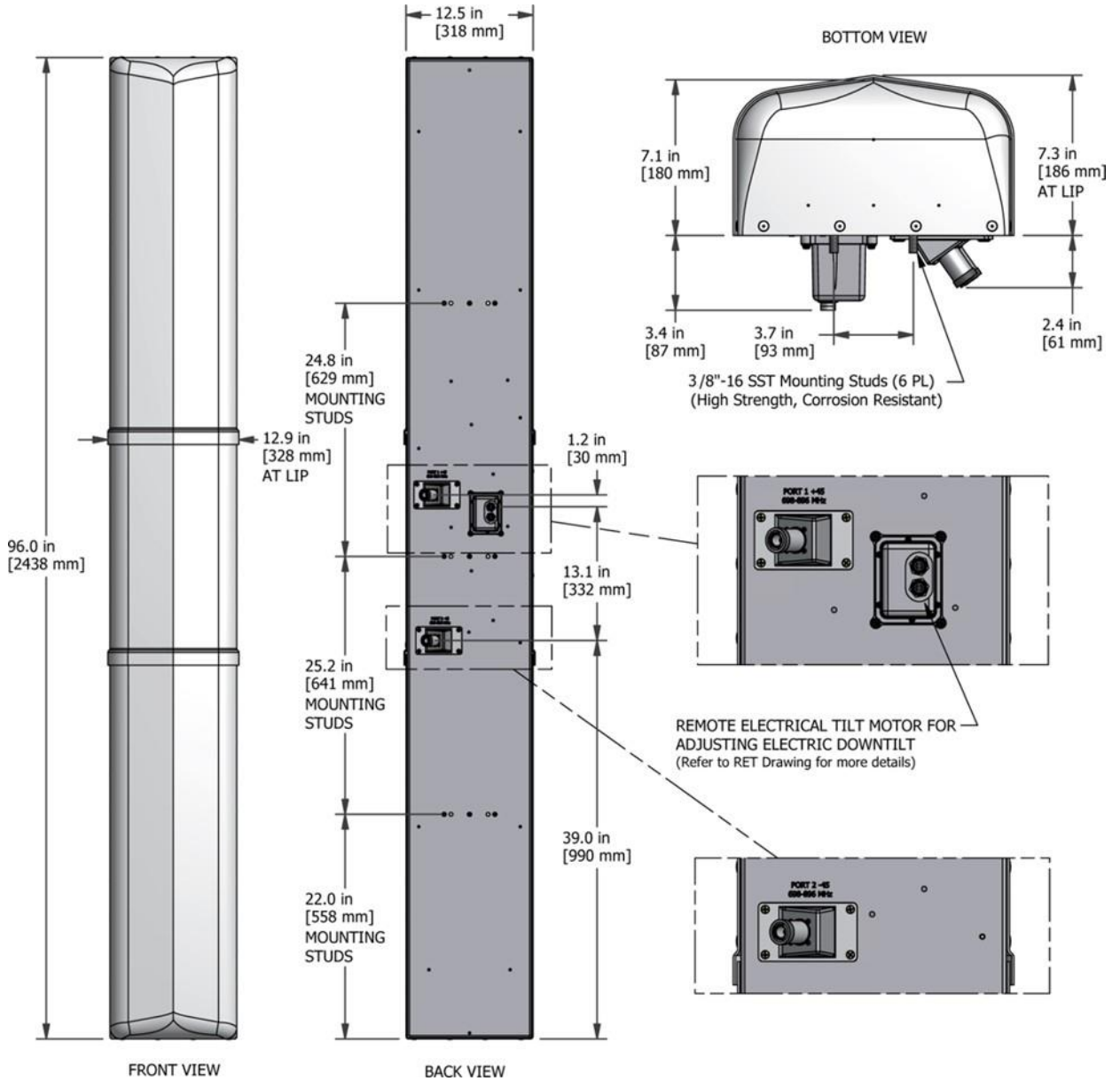
Model	RET-200
Mounting Location	Rear of Antenna
Weight	1.2 lb (0.54 kg)
Communication Standard	AISG 2.0
Control System	PCU-1000



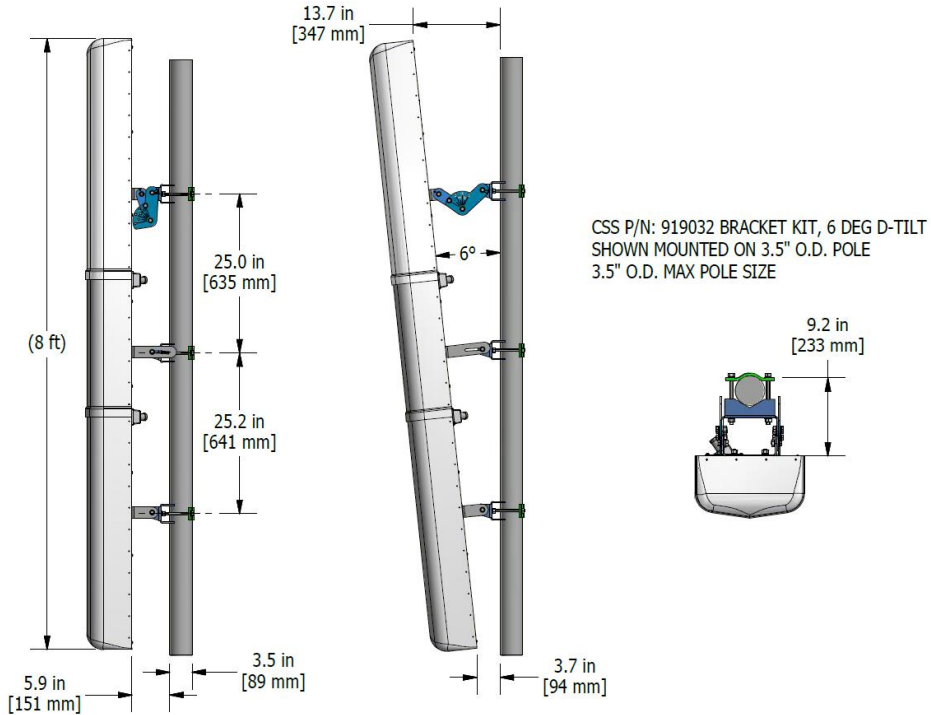
## ORDER INFORMATION

MODEL	DESCRIPTION
X7C-865-VR0	Antenna with remote RET adjust electrical downtilt 0-6°
X7C-865-VR4	Antenna with remote RET adjust electrical downtilt 4-10°
919049	Optional Bracket Kit, 3-Point, 6 degree D-tilt, For 4.5" OD Pole

### Mechanical Outline Drawing: RET Version



### Standard Bracket Kit



### Optional Bracket Kit

