

DX10FRO260-00/06

NWAV™ 2F Panel Antenna | 10-Port | 2 ft | 1695-2700, 3550-3700, 5150-5925



10-port panel antenna from 1695–5925 MHz

2F panel antenna, 10 ports: (4) 1695-2700, (4) 3550–3700, (2) 5150–5925 MHz*

- X-Pol, small cell, panel antenna
- Suitable for pole or building mount
- 4x4 MIMO for AWS, PCS, & CBRS
- 2x2 MIMO for LAA
- Suitable for LTE/UMTS/CDMA/GSM technologies



* This antenna meets current U-NII-1 requirements for gain and upper side lobe pattern characteristics with Compliance Testing of Unlicensed National Information Infrastructure (U-NII) Devices - Part 15, Subpart E. Compliant to 789033 D02 General U-NII Test Procedures v01r04.

Electrical specification (min./max.)	Ports 1, 2, 3, 4,				
Frequency bands, MHz	1695–1880	1850–1990	1920–2180	2300–2400	2496–2690
Polarization	± 45°				
Average gain over all tilts, dBi	13.3	13.8	13.9	14.2	14.3
Horizontal beamwidth (HBW), degrees ¹	67°	64°	64°	62°	58°
Vertical beamwidth, (VBW), degrees ¹	16.7°	16.4°	15.4°	13.4°	11.7°
Fixed electrical downtilt (EDT)	0 or 6°				
Port to port isolation, dB (typ) ¹	25				
Max. VSWR / return loss, dB	1.5:1 / -14.0				
Max. PIM (3rd order 2x20W carrier, dBc)	-153				
Maximum input power per port, watts	150				

Electrical specification (min./max.)	Ports 5, 6, 7, 8	Ports 9, 10
Frequency bands, MHz	3550–3700	5150–5925
Polarization	± 45°	± 45°
Average gain over all tilts, dBi	15.5	5.5
Horizontal beamwidth (HBW), degrees ¹	48°	48°
Vertical beamwidth (VBW), degrees ¹	9°	26°
Fixed electrical downtilt (EDT)	0°	0°
Port to port isolation, dB (typ) ¹	22	25
Max. VSWR / return loss, dB	1.5:1 / -14.0	1.5:1 / -14.0
Max. PIM (3rd order 2x20W carrier, dBc)	N/A	
Maximum input power per port, watts	50	10

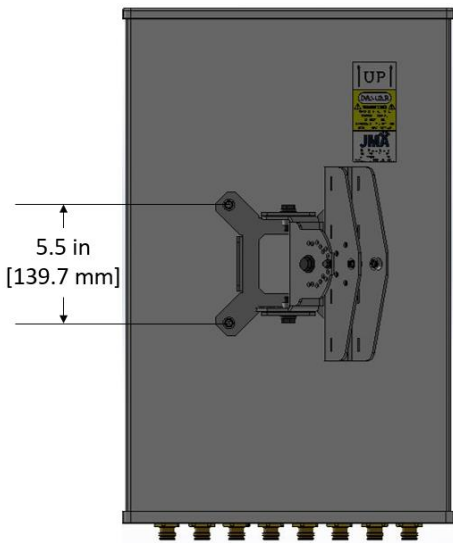
¹ Typical value over frequency and tilt

Note: Vertical beam upper side lobe at 5150-5925 MHz <-15 dB at >30° above horizon

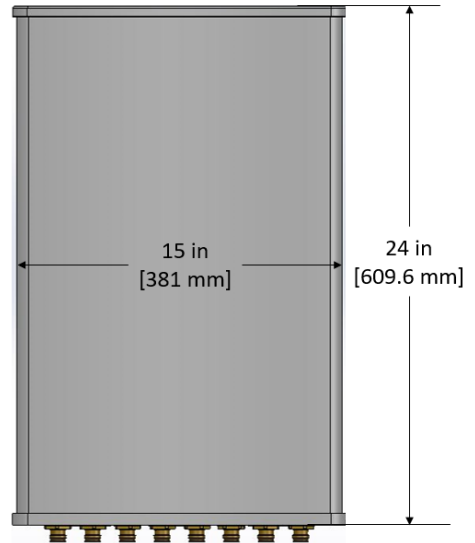
DX10FRO260-00/06

NWAV™ 2F Panel Antenna | 10-Port | 2 ft | 1695-2700, 3550-3700, 5150-5925

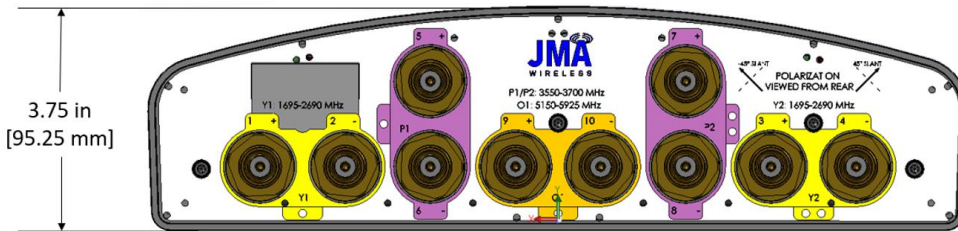
Mechanical specifications	
Dimensions length/width/depth, inches (mm)	24/ 15/ 3.75 (610/ 381/ 127)
No. of RF input ports, connector type and location	10 x 4.3-10 female, bottom
RF connector torque	96 lbf-in (10.85 N-m or 8 lbf-ft)
Net antenna weight, lb (kg)	11.1 (5)
Weight with supplied pipe mount bracket, lb (kg)	16.2 (7.3)
Shipping weight, lb (kg)	22 (10)
Rated wind survival speed, mph (km/h)	150 (241)
Frontal wind loading @ 150 km/h, lbf (N)	43 (191)
Equivalent flat plate @ 100 mph and Cd=2, sq ft	0.45



Back View



Front View



Bottom View

Ordering information	
Antenna model	Description
DX10FRO260-00	2F panel antenna, 10 ports, (4) 1695-2700 zero degrees EDT, (4) CBRS zero degrees EDT, (2) LAA zero degrees EDT
DX10FRO260-06	2F panel antenna, 10 ports, (4) 1695-2700 six degrees EDT, (4) CBRS zero degrees EDT, (2) LAA zero degrees EDT
Mounting kit (included)	91900324 articulating bracket with X- and Y-axis adjustments and rotation