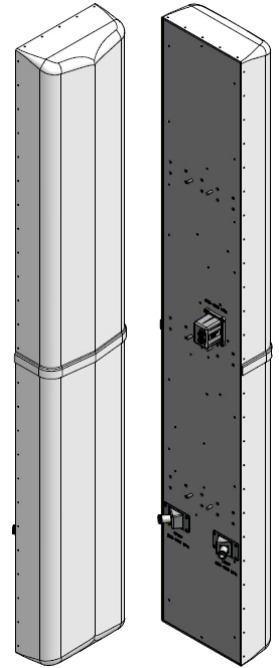


C7C-FRO-856-V

Circular-Pol Fast-Roll-Off Antenna, 698-896 MHz, (96.0", 56° H-Beam)

Variable E-Tilt RET

- Improves real time data rates / VoLTE data sessions
- Designed to improve SNR
- Macro Cell, High Gain Antenna
- Suitable for LTE/CDMA/UMTS/GSM
- AISG 2.0 RET Control



ELECTRICAL SPECIFICATIONS

Frequency Band, MHz	698-824	824-896
Horizontal Beam Width, 3dB points, average	57°	54°
Gain, dBiC, average	17.1	17.0
Vertical Beam Width, 3dB points, average	9.5°	8.4°
Front-to-Back at 180°, dB	>25	
Upper Side Lobe Suppression, typical, dB	<-18	
Polarization	Circular	
Electrical Downtilt, adjustable (See Order Information)	0-6° or 4-10°	
VSWR/Return Loss, dB, maximum	1.35:1/-16.5	
Axial Ratio, typical	<2	
Isolation Between Ports, dB, minimum (745-756 MHz)	<- 24	
Intermodulation (2x20w), IM3, dBc, Maximum	<-153	
Impedance, ohms	50	
Maximum Power Per Connector, CW	500 @ 800 MHz	

MECHANICAL SPECIFICATIONS

Dimensions, Length/Width/Depth	96.0/14.6/7.2 in. (2438/372/181mm)
Connector (Quantity)	(2) 7-16 DIN Female
Connector Torque	220-265 lbf-in (23-30 N-m)
Connector Location	Back
Antenna Weight	41.8 lbs (19.0 kg) (Antenna only)
Bracket Weight	19.2 lb. (8.7 kg)
Standard Bracket Kit	919032 (Included)
Mechanical Down Tilt Range	0-6°
Radome Material	High Strength Luran, UV Stabilized, ASTM D1925
Wind Survival	150 mph (241 km/h)
Front Wind Load	282.2 lbf (1255.2 N) @100mph
Equivalent Flat Plate	5.62 sq-ft (c=2) @ 100mph

RET INFORMATION

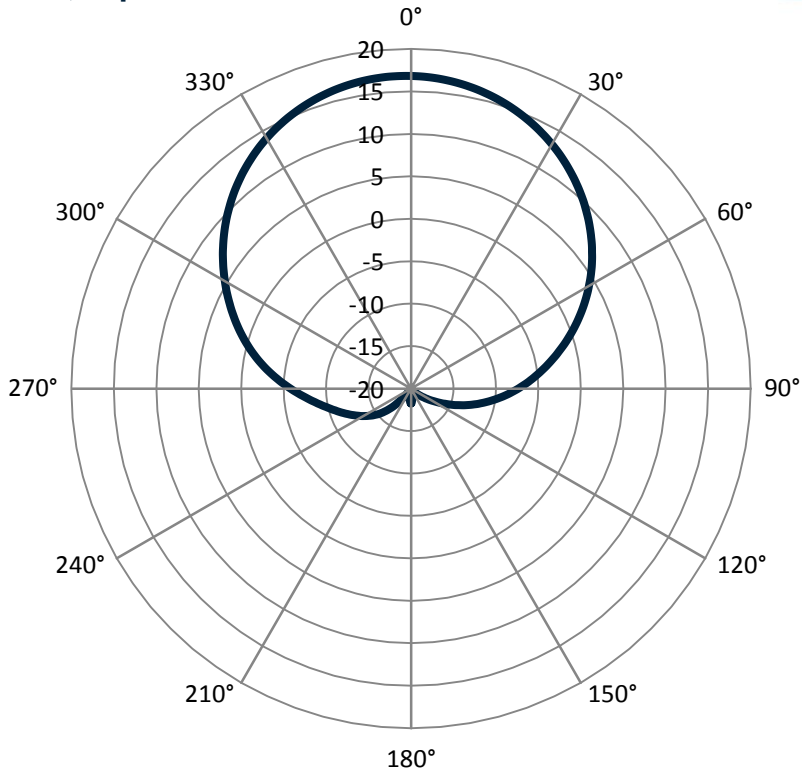
Model	RET-200
Mounting Location	Back
Weight	1.2 lb (0.54 kg)
Communication Standard	AISG 2.0
Control System	PCU-1000



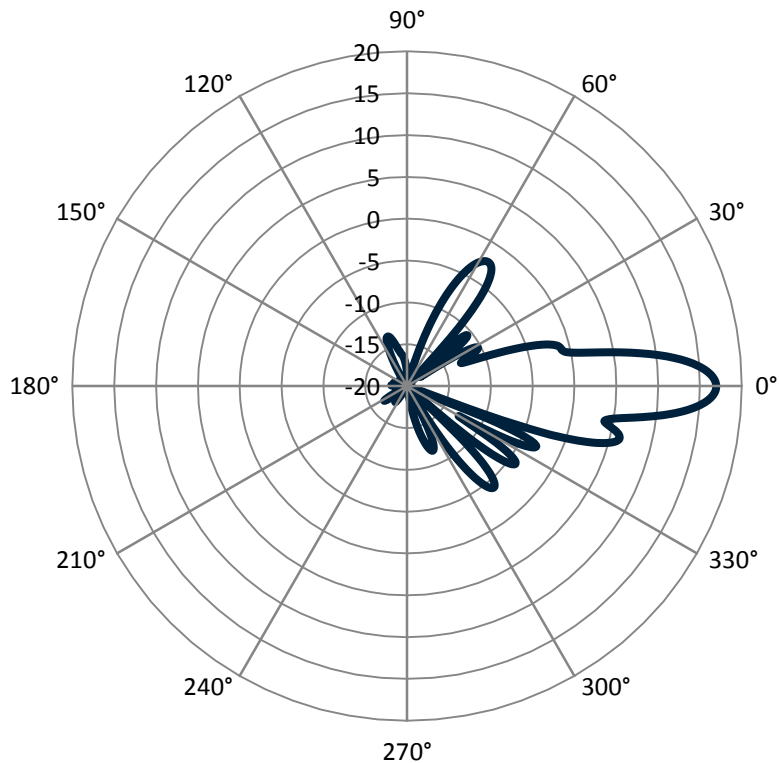
ORDER INFORMATION

MODEL	DESCRIPTION
C7C-FRO-856-VR0	C-Pol antenna with two back DIN connectors with 0-6° tilt (RET)
C7C-FRO-856-VR4	C-Pol antenna with two back DIN connectors with 4-10° tilt (RET)
919049	Optional Bracket Kit, 3-Point, 6deg D-tilt, For 4.5" OD Pole

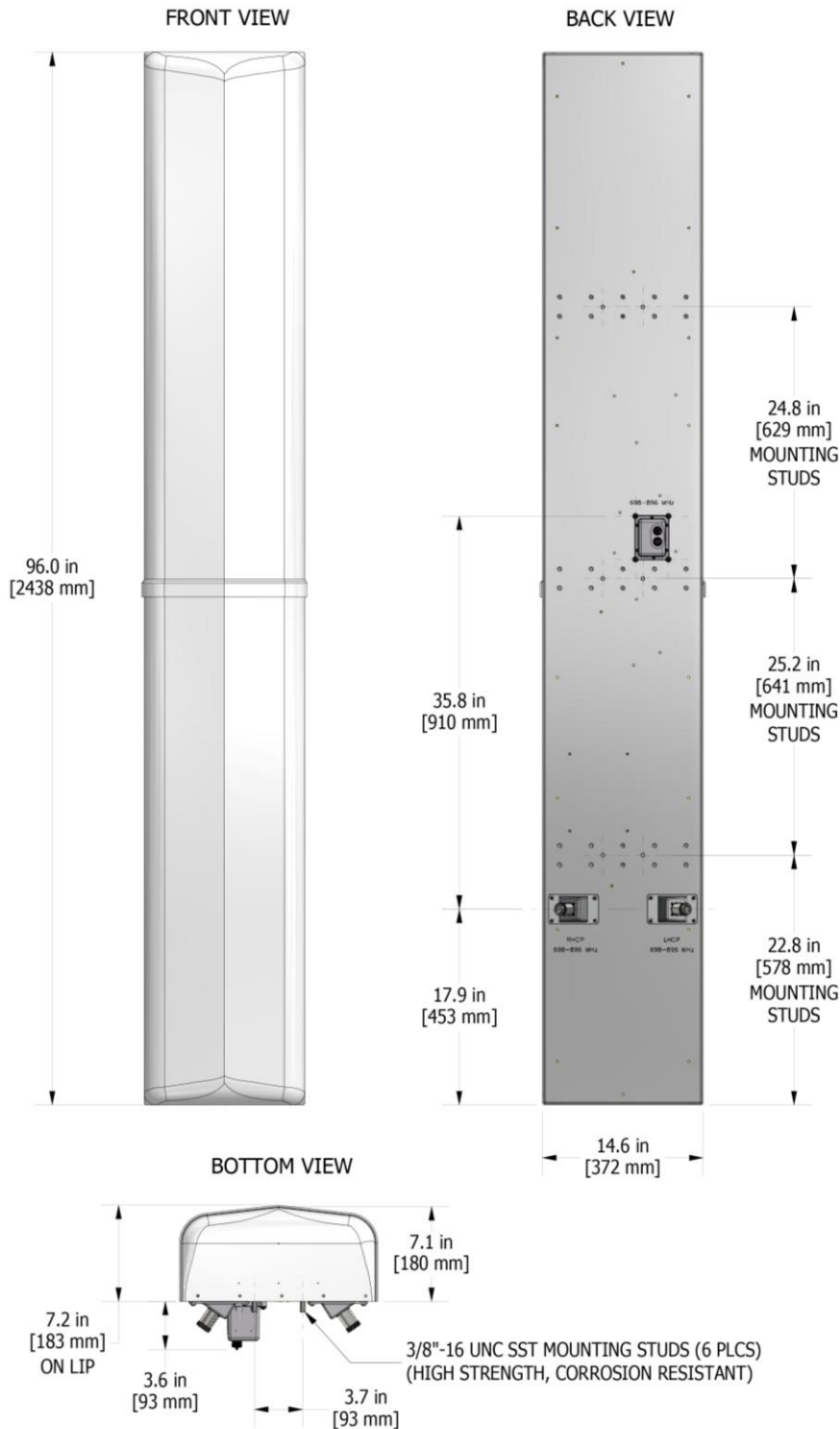
Pattern Plot: 750MHz, H-plane



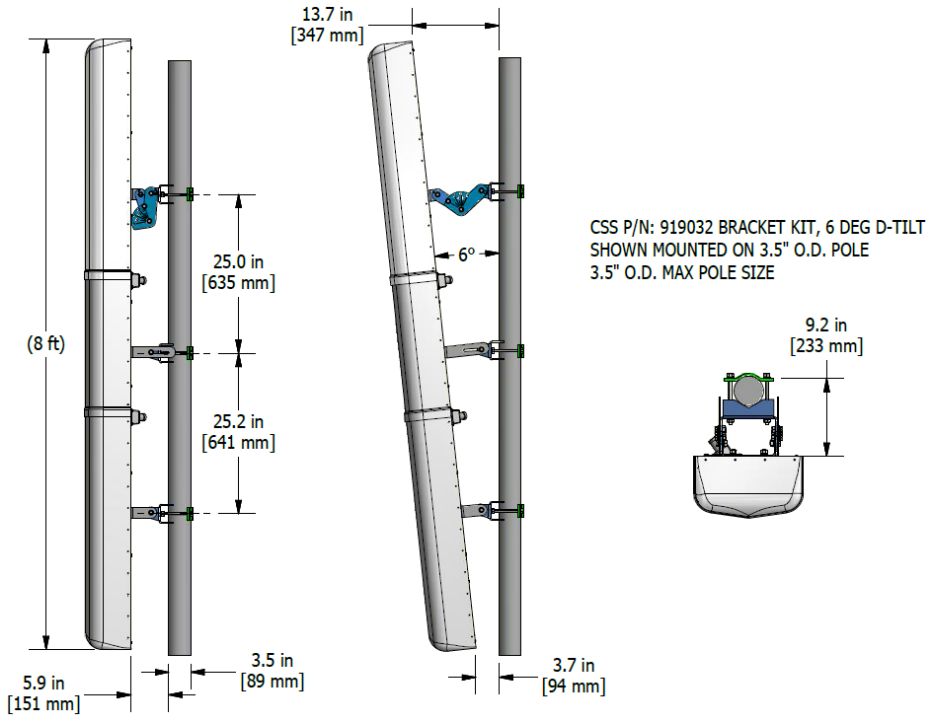
Pattern Plot: 750MHz, E-plane



Mechanical View RET antenna



Standard Bracket Kit



Optional Bracket Kit

